

Excellent Integrated System Limited

Stocking Distributor

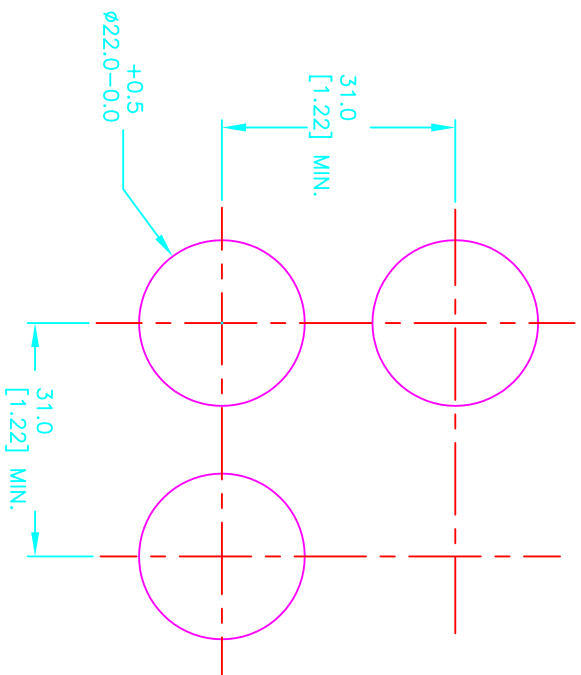
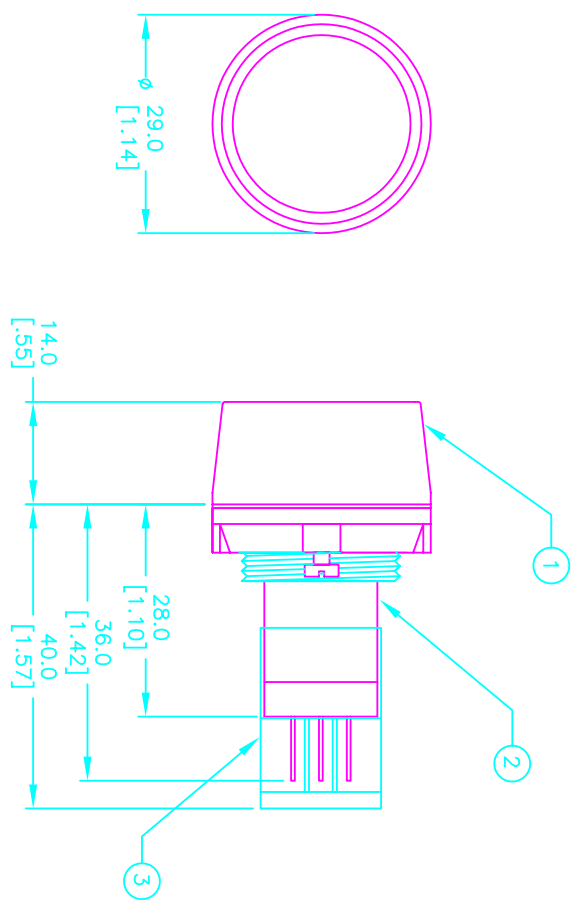
Click to view price, real time Inventory, Delivery & Lifecycle Information:

[E-Switch](#)
[LAKOAU110RED](#)

For any questions, you can email us directly:

sales@integrated-circuit.com

PART LIST			
Item	Qty.	Dwg. No.	Part No.
1	1	F051701	29mm RING FOR LA SERIES
2	1	F060622	LAKOAU110 (Body)
3	1	F051601	P16 PLASTIC TERMINAL PROTECTOR
-	1	F060295	29mm RED LENS



RECOMMEND PANEL MOUNTING

1. 0 1 2
 3. 0 4
 a. (L) b (+)

CONTACT CONFIGURATION

NOTES:

1. ALL DIMENSIONS IN MM [INCH]
2. GENERAL TOLERANCE: 0.0=±0.4
0.00=±0.25
3. TERM. NOS. FOR REF. ONLY



Distributor of E-Switch: Excellent Integrated System Limited
 Datasheet of LAKOAU110RED - SWITCH PUSHBUTTON SPDT 8A 125V
 Contact us: sales@integrated-circuit.com Website: www.integrated-circuit.com

REV.	ECN No.	DESCRIPTION	DATE	CHKD
B	16330	CHANGED ITEM 2 OF PARTS LIST	8/16/06	BD
A	13102	RELEASED FOR PRODUCTION	5/1/03	AR

TITLE		SCALE	DATE	DR	DWG	REV
LAKOAU110RED		1:1	5/1/03	AR	XF0281P	B



THE INFORMATION CONTAINED IN THIS DOCUMENT IS PROPRIETARY TO E-SWITCH AND IS NOT TO BE COPIED OR TRANSFERRED