

Excellent Integrated System Limited

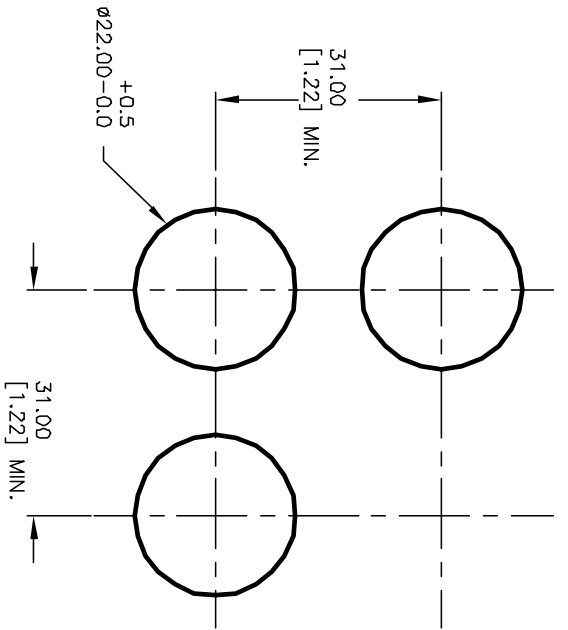
Stocking Distributor

Click to view price, real time Inventory, Delivery & Lifecycle Information:

[E-Switch](#)
[LAKOAV11HREDRED](#)

For any questions, you can email us directly:

sales@integrated-circuit.com



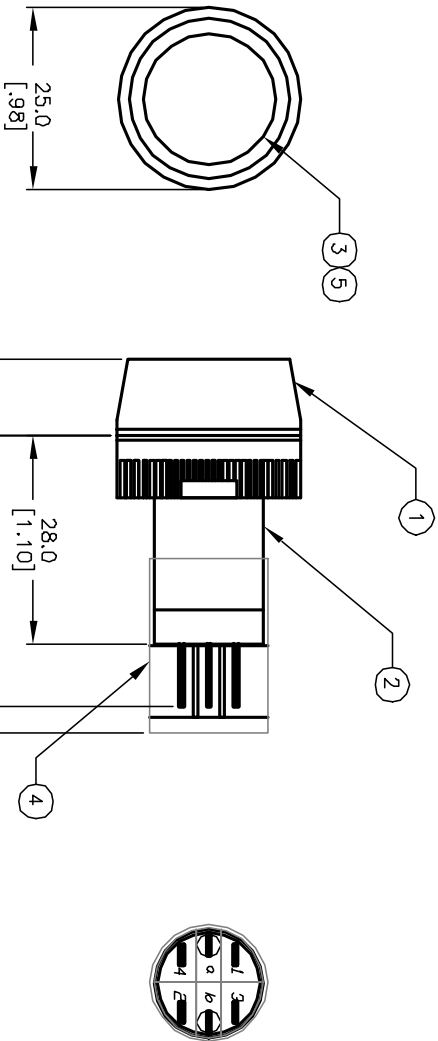
RECOMMENDED PANEL MOUNTING

1o1o2
 3o o 4
 a-(L)-b (+)

SPST
 CONTACT CONFIGURATION

NOTES:

1. ALL DIMENSIONS IN MM
2. GENERAL TOLERANCE: X.X=±0.4
X.XX=±0.25
3. RATINGS: 5A @250V AC;
8A @125V AC
4. CONTACT MATERIAL:
COPPER ALLOY W/Silver Plating
5. LAMP VOLTAGE: 6V DC



PARTS LIST		
Item	Qty.	Dwg. No. Part No.
1	1	F051702 25mm RING FOR LA SERIES
2	1	F060621 LAKOAV110 (BODY)
3	1	F060255 25mm RED LENS
4	-	SUPPLIED P16 PLASTIC TERMINAL PROTECTOR
5	1	F050417 50-004-17 (RED LED)

REV.	ECN No.	DESCRIPTION	DATE	CHKD
A	12133	RELEASED FOR PRODUCTION		

TITLE	SCALE	DATE	DR	DWG	REV
LAK DA V11 K RED RED	1:1	5/9/02	CB	XF0447P	A

E-SWITCH®

THE INFORMATION CONTAINED IN THIS DOCUMENT IS PROPRIETARY TO E-SWITCH AND IS NOT TO BE COPIED OR TRANSMITTED