

## Excellent Integrated System Limited

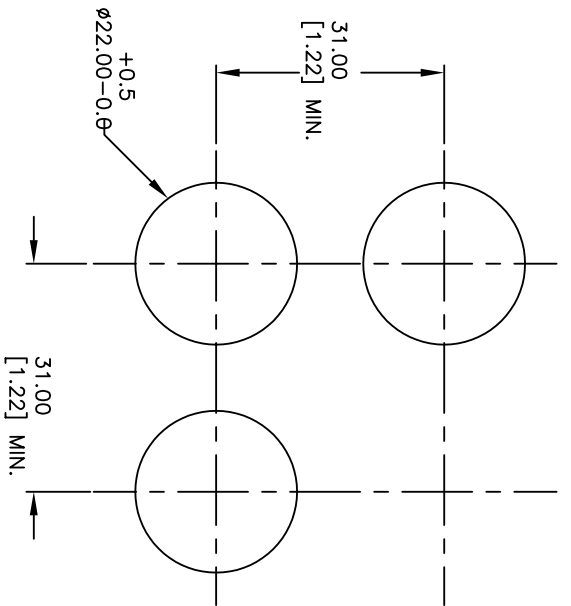
Stocking Distributor

Click to view price, real time Inventory, Delivery & Lifecycle Information:

[E-Switch](#)  
[LAKOAV11JYELYEL](#)

For any questions, you can email us directly:  
[sales@integrated-circuit.com](mailto:sales@integrated-circuit.com)

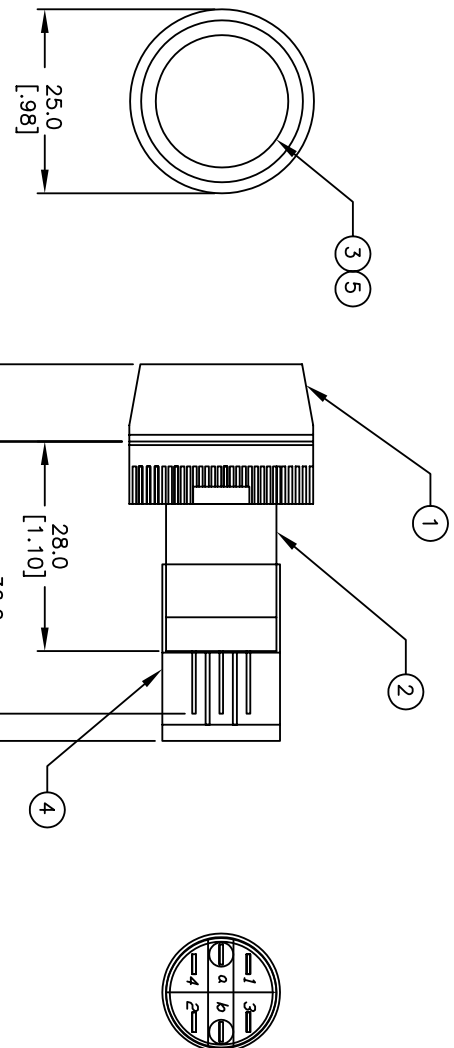
Item	Qty.	Dwg. No.	Part No.
1	1	F051702	25mm RING FOR LA SERIES
2	1	F060621	LAKOAV110 (BODY)
3	1	F061256	25mm YELLOW LENS
4	1	F051601	P16 PLASTIC TERMINAL PROTECTOR
5	1	F050421	50-004-20 (YELLOW LED)



RECOMMENDED PANEL MOUNTING

1 0 1 0 2  
 3 0 0 4  
 a-L-b (+)

SPST  
 CONTACT CONFIGURATION



- NOTES:
1. ALL DIMENSIONS IN MM
  2. GENERAL TOLERANCE: X,X=±0.4  
X,XX=±0.25
  3. RATINGS: 5A @250V AC;  
8A @125V AC
  4. CONTACT MATERIAL:  
COPPER ALLOY W/Silver Plating
  5. LAMP VOLTAGE: 12V DC

REV.	ECN No.	DESCRIPTION	DATE	CHKD
A	15166	RELEASED FOR PRODUCTION	8/11/05	PV

TITLE	SCALE	DATE	DR	DWG	REV
LAKOAV11JYELYEL	1:1	8/11/05	PV	XF0640P	A

**E-SWITCH®**

THE INFORMATION CONTAINED IN THIS DOCUMENT IS PROPRIETARY TO E-SWITCH AND IS NOT TO BE COPIED OR TRANSFERRED