

## Excellent Integrated System Limited

Stocking Distributor

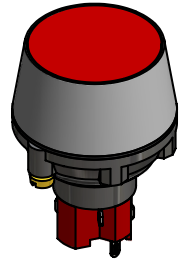
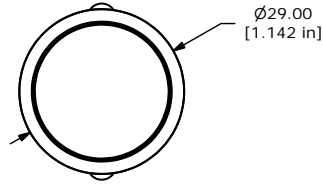
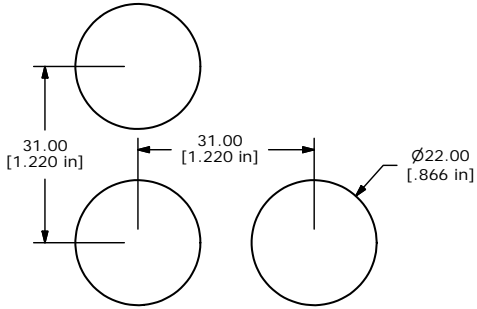
Click to view price, real time Inventory, Delivery & Lifecycle Information:

[E-Switch](#)  
[LASEEU11JREDRED](#)

For any questions, you can email us directly:

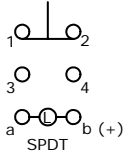
[sales@integrated-circuit.com](mailto:sales@integrated-circuit.com)

SHEET 1 OF 1

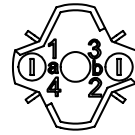
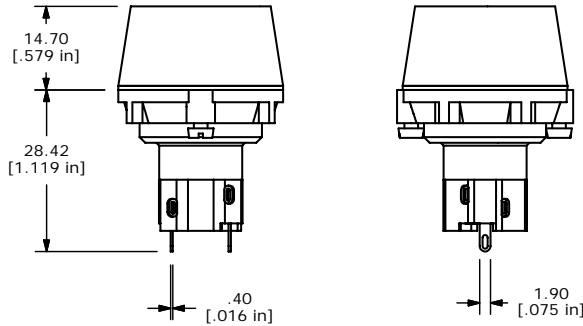


ISOMETRIC

**RECOMMEND PANEL MOUNTING**



CONTACT CONFIGURATION



- NOTES:
- ALL DIMENSIONS IN MM [INCH].
  - GENERAL TOLERANCE: 0.0±0.4  
0.00±0.25
  - TERM. NOS. FOR REF. ONLY.
  - RATING: 5A @250VAC  
8A @125VAC  
.2A @250VDC  
6A @24VDC
  - ELECTRIC LIFE: 50,000 MAKE-OR-BREAK CYCLES AT FULL LOAD.
  - INSULATION: 1,000 MΩ MIN.
  - DIELECTRIC STRENGTH: 1,500V FOR 1 MIN.  
3,000V BETWEEN POLES
  - OPERATING TEMP: -20°C TO 55°C
  - LENS COLOR: RED
  - LAMP: LED 12VDC RED



TITLE LASEEU11JREDRED

A	14895	RELEASED FOR PRODUCTION	5/11/05	JB
REV	PCR NO	DESCRIPTION	DATE	BY

THE INFORMATION CONTAINED IN THIS DOCUMENT IS PROPRIETARY TO E-SWITCH AND IS NOT TO BE COPIED OR TRANSFERRED

SCALE 1:1	DATE 5/11/2005	DR JB	DWG F060625	REV A
-----------	----------------	-------	-------------	-------