

## Excellent Integrated System Limited

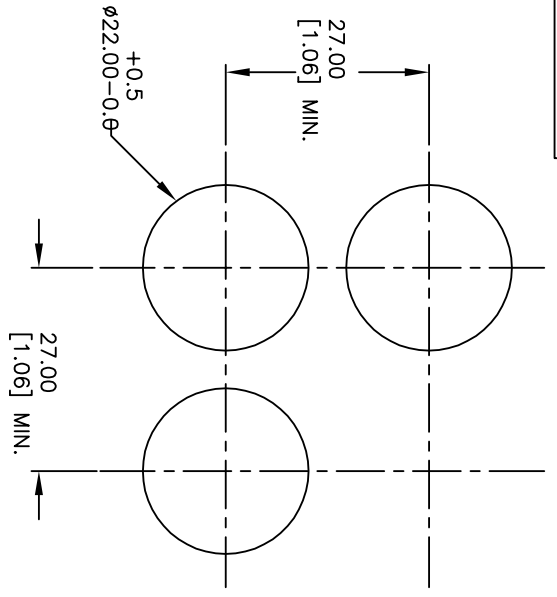
Stocking Distributor

Click to view price, real time Inventory, Delivery & Lifecycle Information:

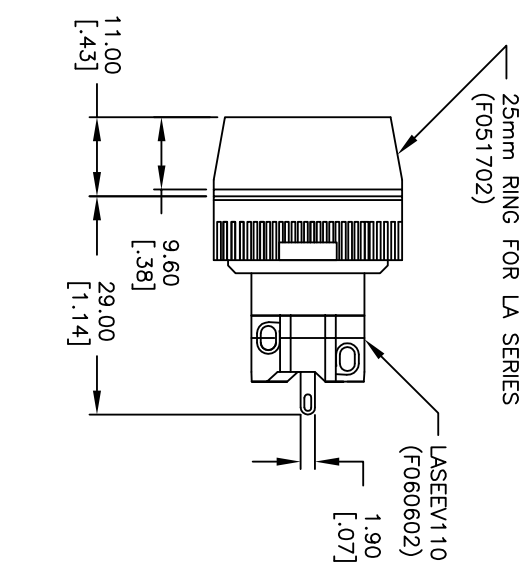
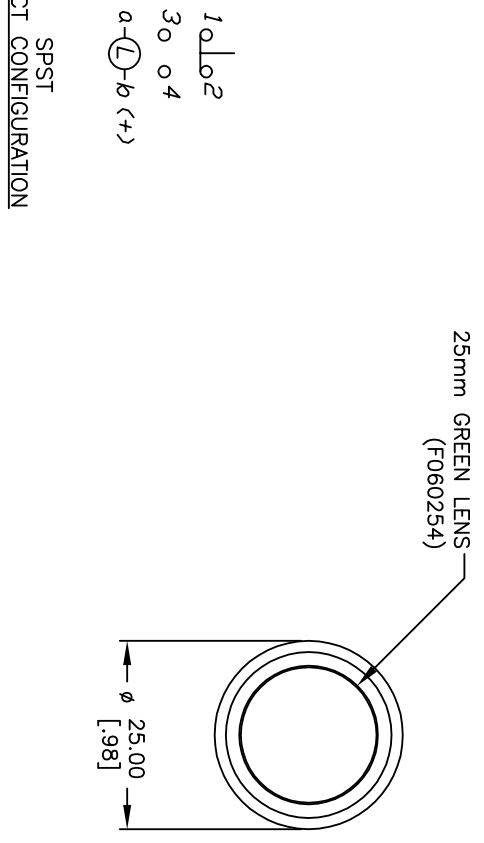
[E-Switch](#)  
[LASEEV110G](#)

For any questions, you can email us directly:

[sales@integrated-circuit.com](mailto:sales@integrated-circuit.com)



RECOMMENDED PANEL MOUNTING



NOTES:

1. ALL DIMENSIONS IN MM [INCH]
2. GENERAL TOLERANCE: 0.00=±0.4  
0.00=±0.25
3. RATINGS: 250VAC @1A, 2A, 4A, 5A

SPST  
CONTACT CONFIGURATION

REV.	ECN No.	DESCRIPTION	DATE	CHKD
A	11183	RELEASED FOR PRODUCTION	1/18/01	CJB

TITLE	SCALE	DATE	DR	DWG	REV
LAS EE V1 10 GRN	1:1	1/18/01	CJB	XF02804	A

**E-SWITCH®**

THE INFORMATION CONTAINED IN THIS DOCUMENT IS PROPRIETARY TO E-SWITCH AND IS NOT TO BE COPIED OR TRANSFERRED