

## Excellent Integrated System Limited

Stocking Distributor

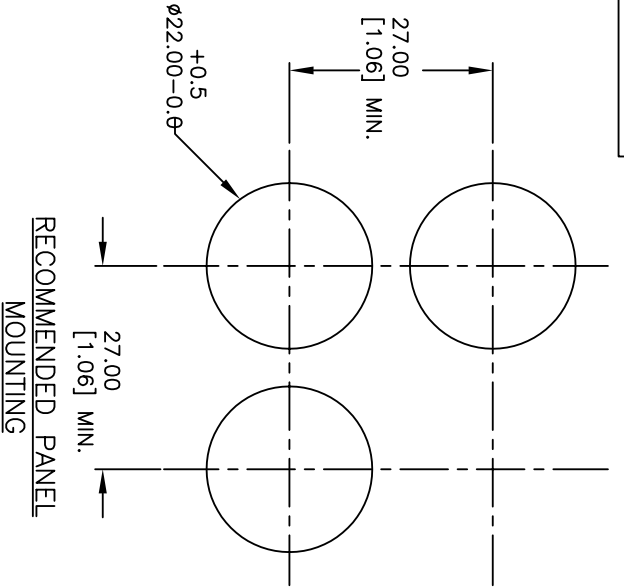
Click to view price, real time Inventory, Delivery & Lifecycle Information:

[E-Switch](#)  
[LASEEV11JGRNGRN](#)

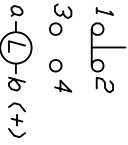
For any questions, you can email us directly:

[sales@integrated-circuit.com](mailto:sales@integrated-circuit.com)

PARTS LIST		Part No.
Item	Qty.	Dwg. No.
1	1	F051702 25mm RING FOR LA SERIES
2	1	F060602 LASEEV110
3	1	F061254 25mm GRN LENS (TRANSPARENT)
4	1	F050422 50-004-22 GRN L.E.D.



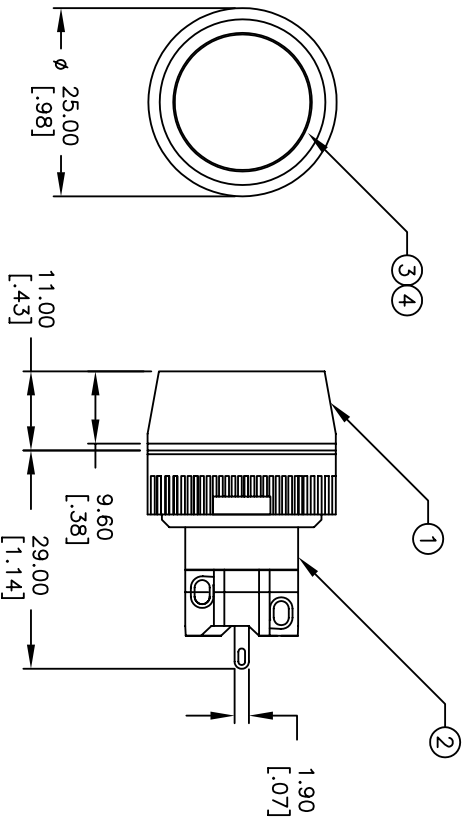
RECOMMENDED PANEL MOUNTING



SPST CONTACT CONFIGURATION

NOTES:

1. ALL DIMENSIONS IN MM
2. GENERAL TOLERANCE: X.X=±0.4 X.XX=±0.25
3. RATINGS: 5A@250V AC, 8A@125V AC
4. CONTACT MATERIAL: COPPER ALLOY W/Gold Plating
5. TRAVEL: 3.0mm (Total) 2.0mm (Latch)
6. MECHANICAL LIFE: >100,000 Cycles
7. ELECTRICAL LIFE: >50,000 Cycles
8. INSULATION RESISTANCE: >1000 MΩ-100MΩ
9. OPERATING TEMP: -20°C to 55°C
10. LAMP VOLTAGE: 12VDC (L.E.D.)



REV.	ECN No.	DESCRIPTION	DATE	CHKD
A	15191	RELEASED FOR PRODUCTION	8/22/05	PH

TITLE	SCALE	DATE	DR	DWG	REV
LASEEV11JGRNGRN (TRANSPARENT LENS)	1:1	8/22/2005	PH	XF0641P	A

**E-SWITCH®**

THE INFORMATION CONTAINED IN THIS DOCUMENT IS PROPRIETARY TO E-SWITCH AND IS NOT TO BE COPIED OR TRANSFERRED