

Excellent Integrated System Limited

Stocking Distributor

Click to view price, real time Inventory, Delivery & Lifecycle Information:

[E-Switch](#)
[LASEEV120RED](#)

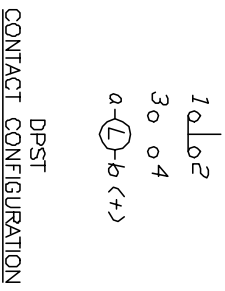
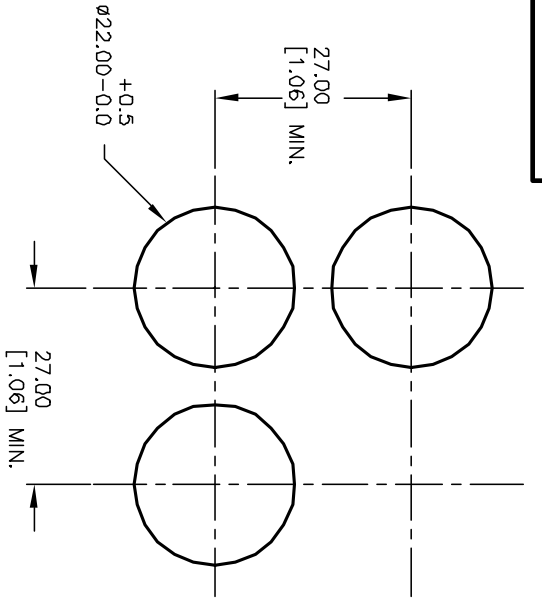
For any questions, you can email us directly:

sales@integrated-circuit.com

SHEET OF

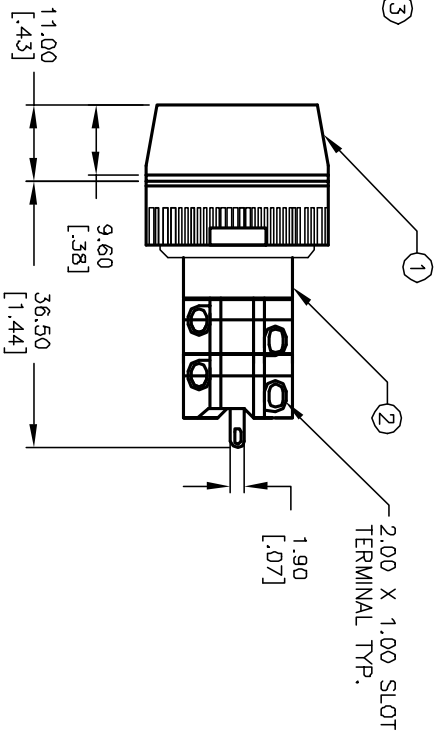
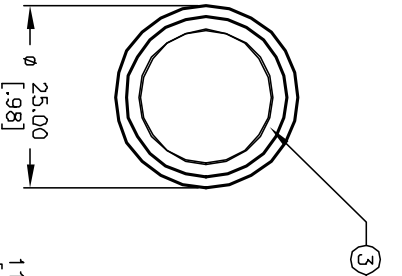
PARTS LIST

| Item | Qty. | Dwg. No. | Part No. |
|------|------|----------|-------------------------|
| 1 | 1 | F051702 | 25mm RING FOR LA SERIES |
| 2 | 1 | F060603 | LASEEV120 |
| 3 | 1 | F060255 | 25MM RED LENS |



NOTES:

1. ALL DIMENSIONS IN MM [INCH]
2. GENERAL TOLERANCE: 0.0=±0.4 0.00=±0.25
3. RATINGS: 250VAC @5A, 125VAC @8A
4. TRAVEL: 3.0mm



| REV. | ECN NO. | DESCRIPTION | DATE | CHKD |
|------|---------|-------------------------|--------|------|
| A | I2993 | RELEASED FOR PRODUCTION | 4/2/03 | AR |

| TITLE | SCALE | DATE | DR | DWG | REV |
|--------------|-------|--------|----|---------|-----|
| LASEEV120RED | 1:1 | 4/2/03 | AR | XF0550P | A |

E-SWITCH®

THE INFORMATION CONTAINED IN THIS DOCUMENT IS PROPRIETARY TO E-SWITCH AND IS NOT TO BE COPIED OR TRANSMITTED