

Excellent Integrated System Limited

Stocking Distributor

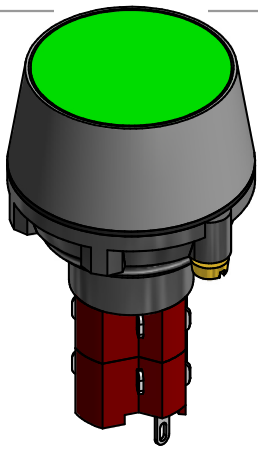
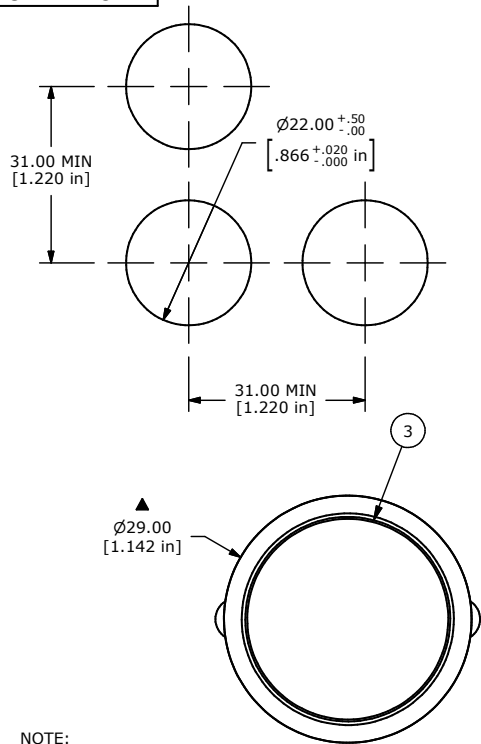
Click to view price, real time Inventory, Delivery & Lifecycle Information:

[E-Switch](#)
[LASOAU120GRN](#)

For any questions, you can email us directly:

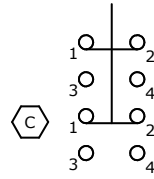
sales@integrated-circuit.com

SHEET 1 OF 1

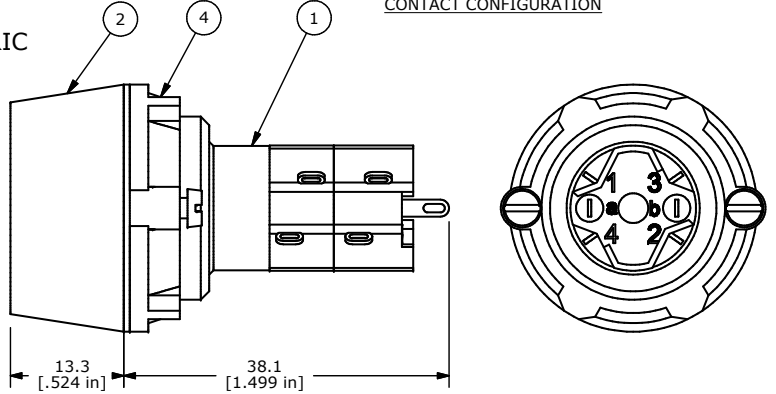


ISOMETRIC

Parts List			
ITEM	QTY	PART NUMBER	DESCRIPTION
1	1	F060611	LASOAU12
2	1	F051701	29MM RING FOR LA SERIES
3	1	F060294	29MM GREEN OPAQUE LENS
4	1	F060250	29MM LA U1 NUT



DPDT CONTACT CONFIGURATION



- NOTE:
1. ALL DIMENSIONS IN MM [INCH]
 2. GENERAL TOLERANCE: X.X=±0.4
X.XX=±0.25
 3. TERMINAL NUMBERS FOR REF ONLY
 4. RATING: 5 AMPS @ 250VAC UL, VDE APPROVED
8 AMPS @ 125VAC UL, VDE APPROVED
 5. ELECTRIC LIFE: 50,000 MAKE-AND-BREAK CYCLES AT FULL LOAD.
 6. INSULATION RESISTANCE: 1,000 MEGA-OHM MIN.
 7. OPERATING TEMP.: -20°C to 55°C
 - ▲ 8. LAMP VOLTAGE: NO LAMP
 9. ▲DENOTES CRITICAL PARAMETER.



REV	PCR NO	DESCRIPTION	DATE	BY
C	21083	ADD CONTACT CONFIGURATION DIAGRAM	3/26/13	AR
B	14771	CORRECT DESCRIPTION FOR ITEM #1	3/15/05	AR

TITLE LASOAU120GRN				
SCALE 1.5:1	DATE 3/10/2005	DR AR	DWG XF0633P	REV C

THE INFORMATION CONTAINED IN THIS DOCUMENT IS PROPRIETARY TO E-SWITCH AND IS NOT TO BE COPIED OR TRANSFERRED