

## Excellent Integrated System Limited

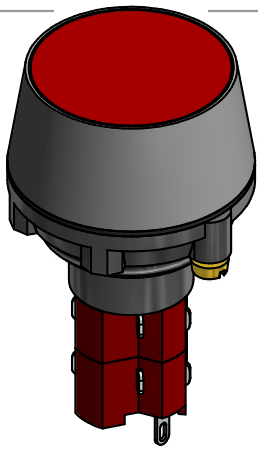
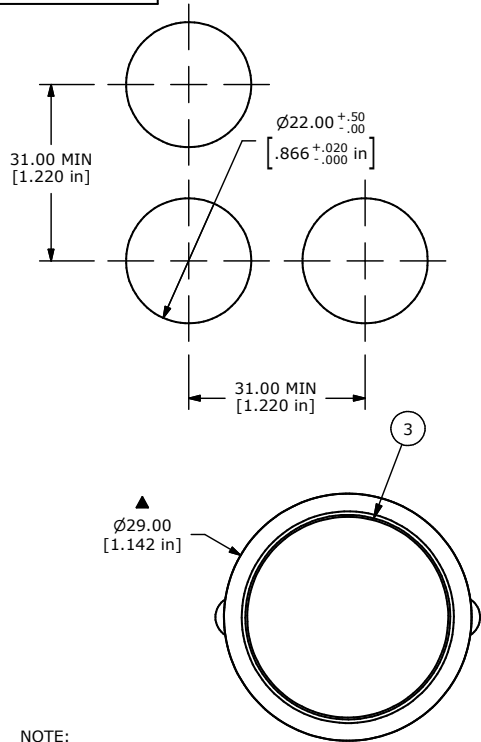
Stocking Distributor

Click to view price, real time Inventory, Delivery & Lifecycle Information:

[E-Switch](#)  
[LASOAU120RED](#)

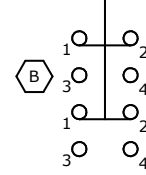
For any questions, you can email us directly:  
[sales@integrated-circuit.com](mailto:sales@integrated-circuit.com)

SHEET 1 OF 1

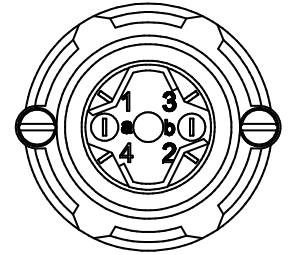
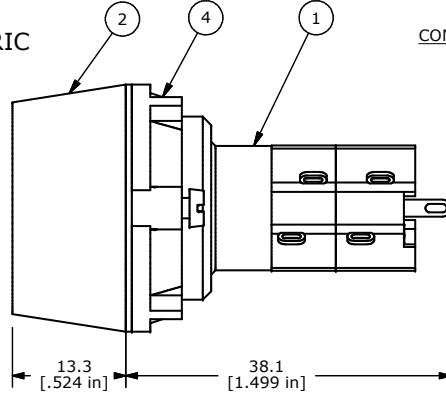


ISOMETRIC

Parts List			
ITEM	QTY	PART NUMBER	DESCRIPTION
1	1	F060611	LASOAU12
2	1	F051701	29MM RING FOR LA SERIES
3	1	F060295	29MM RED OPAQUE LENS
4	1	F060250	29MM LA U1 NUT



DPDT CONTACT CONFIGURATION



- NOTE:
1. ALL DIMENSIONS IN MM [INCH]
  2. GENERAL TOLERANCE: X.X=±0.4  
X.XX=±0.25
  3. TERMINAL NUMBERS FOR REF ONLY
  4. RATING: 5 AMPS @ 250VAC UL, VDE APPROVED  
8 AMPS @ 125VAC UL, VDE APPROVED
  5. ELECTRIC LIFE: 50,000 MAKE-AND-BREAK CYCLES AT FULL LOAD.
  6. INSULATION RESISTANCE: 1,000 MEGA-OHM MIN.
  7. OPERATING TEMP.: -20°C to 55°C
  - ▲ 8. LAMP VOLTAGE: NO LAMP
  9. ▲ DENOTES CRITICAL PARAMETER.



B	21083	ADD CONTACT CONFIGURATION DIAGRAM	3/26/13	EBP
A	14781	RELEASED FOR PRODUCTION	3/21/05	AR
REV	PCR NO	DESCRIPTION	DATE	BY

TITLE LASOAU120RED				
SCALE 1.5:1	DATE 3/21/2005	DR AR	DWG XF0314P	REV B

THE INFORMATION CONTAINED IN THIS DOCUMENT IS PROPRIETARY TO E-SWITCH AND IS NOT TO BE COPIED OR TRANSFERRED