

Excellent Integrated System Limited

Stocking Distributor

Click to view price, real time Inventory, Delivery & Lifecycle Information:

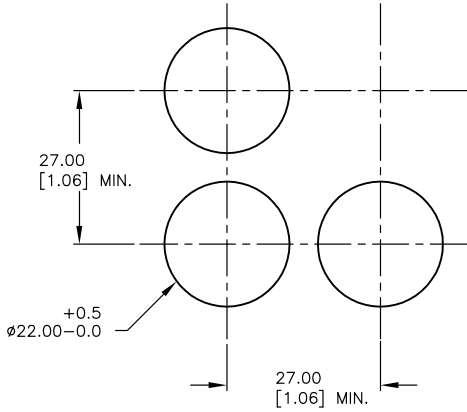
[E-Switch](#)
[LASOAV11FREDRED](#)

For any questions, you can email us directly:
sales@integrated-circuit.com

SHEET OF

PARTS LIST

Item	Qty.	Dwg. No.	Part No.
1	1	F051702	25mm RING FOR LA SERIES
2	1	F060606	LASOAV110
3	1	F060255	25mm RED LENS
4	1	F050412	50-004-12 (RED NEON LAMP)



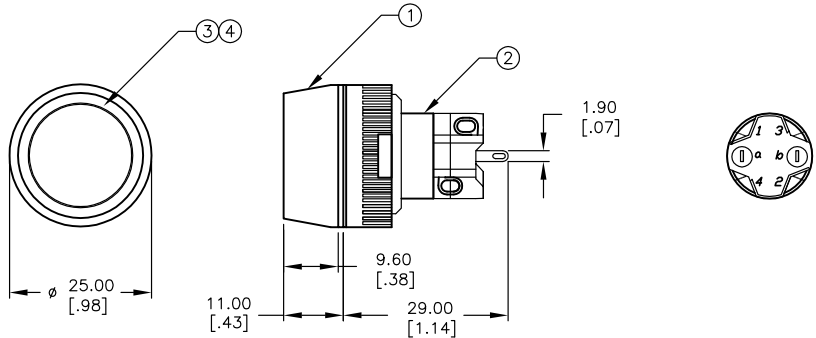
RECOMMENDED PANEL MOUNTING

1 a | o 2
 3 o o 4
 a-(L)-b (+)

SPST
 CONTACT CONFIGURATION

NOTES:

- ALL DIMENSIONS IN MM
- GENERAL TOLERANCE: X.X=±0.4
X.XX=±0.25
- RATINGS: 5A@250V AC,
8A@125V AC
- CONTACT MATERIAL: COPPER ALLOY W/Gold Plating
- TRAVEL: 3.0mm (Total) 2.0mm (Latch)
- MECHANICAL LIFE: >100,000 Cycles
- ELECTRICAL LIFE: >50,000 Cycles
- INSULATION RESISTANCE: >1000 MILLI-OHMS
- OPERATING TEMP: -20°C to 55°C
- LAMP VOLTAGE: 110VAC (RED NEON)
- ▲ DENOTES CRITICAL PARAMETER.



E-SWITCH®

TITLE				
LASOAV11FREDRED				
SCALE	DATE	DR	DWG	REV
1:1	6/28/04	AR	XF0594P	A

A	14119	RELEASED FOR PRODUCTION	6/28/04	AR
REV.	ECN No.	DESCRIPTION	DATE	CHKD

THE INFORMATION CONTAINED IN THIS DOCUMENT IS PROPRIETARY TO E-SWITCH AND IS NOT TO BE COPIED OR TRANSFERRED