

## Excellent Integrated System Limited

Stocking Distributor

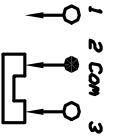
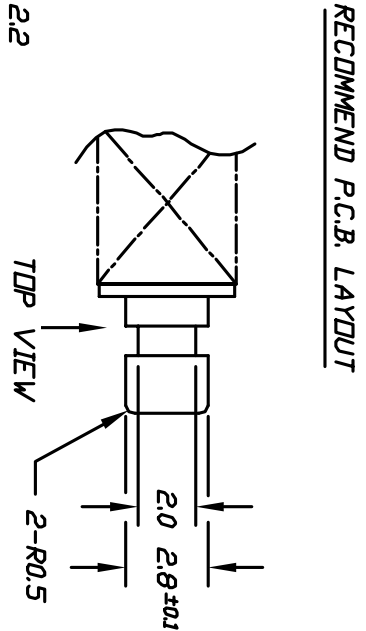
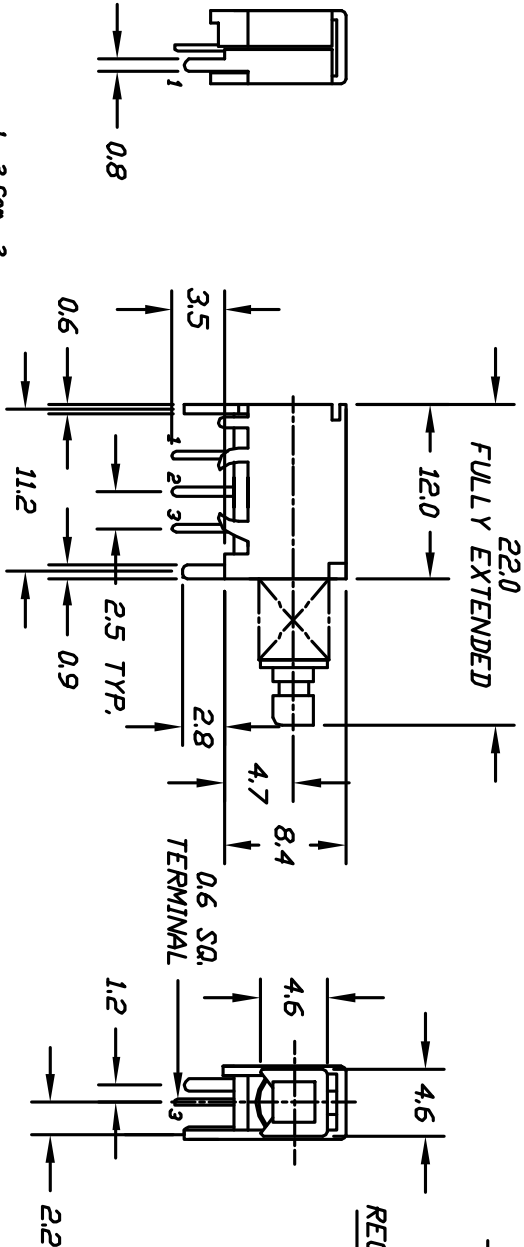
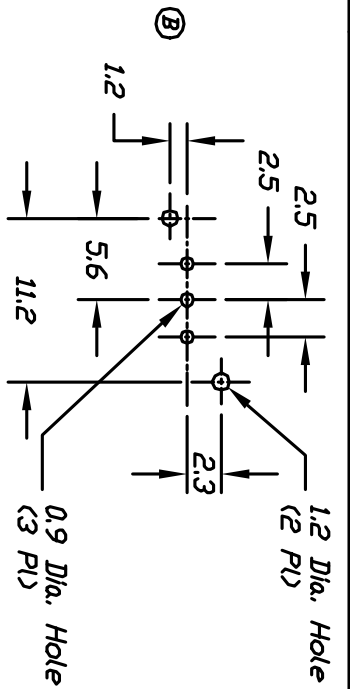
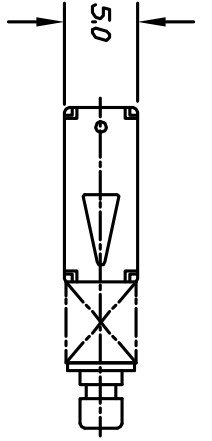
Click to view price, real time Inventory, Delivery & Lifecycle Information:

[E-Switch](#)  
[LC1258EESP](#)

For any questions, you can email us directly:

[sales@integrated-circuit.com](mailto:sales@integrated-circuit.com)

SHEET OF



**CIRCUIT: SPDT**  
**CONTACT CONFIGURATION**

- NOTES:
1. ALL DIMENSIONS IN MM
  2. GENERAL TOLERANCE: X.X=±0.4  
X.XX=±0.25
  3. TERM. NOS. FOR REF. ONLY
  4. RATING: DC 30V, 0.3A
  5. CONTACT MATERIAL:  
PHOSPHOR BRONZE W/ SILVER PLATING
  6. CONTACT RESISTANCE: 20 milli-Ohms max.
  7. DIELECTRIC STRENGTH: 1,000V rms @ Sea Level
  8. OPERATING FORCE: 230±100gf
  9. TRAVEL : FULL 3.5mm; LOOK 2.5mm

(ACTUATOR DETAIL) SCALE 4:1

REV.	ECN No.	DESCRIPTION	DATE	CHKD
B	12310	REVISED AND REDRAWN	7/19/02	CB
A	10499	RELEASED FOR PRODUCTION	1/18/02	MM

TITLE	SCALE	DATE	DR	DWG	REV
LC 1258 EE SP (LATCHING)	2:1	1/18/00	MM	P0702226	B

**E-SWITCH®**

THE INFORMATION CONTAINED IN THIS DOCUMENT IS PROPRIETARY TO E-SWITCH AND IS NOT TO BE COPIED OR TRANSMITTED