

## Excellent Integrated System Limited

Stocking Distributor

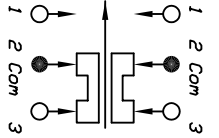
Click to view price, real time Inventory, Delivery & Lifecycle Information:

[E-Switch](#)

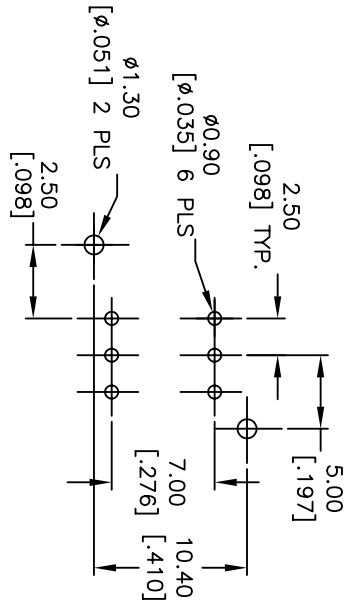
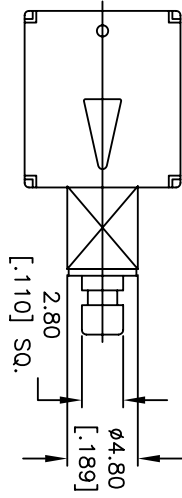
[LC2251EESP](#)

For any questions, you can email us directly:

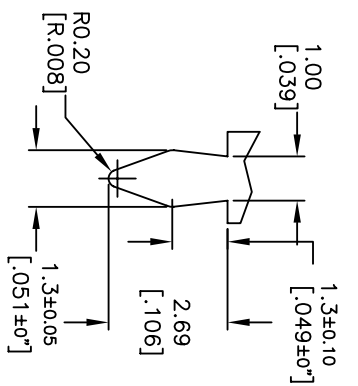
[sales@integrated-circuit.com](mailto:sales@integrated-circuit.com)



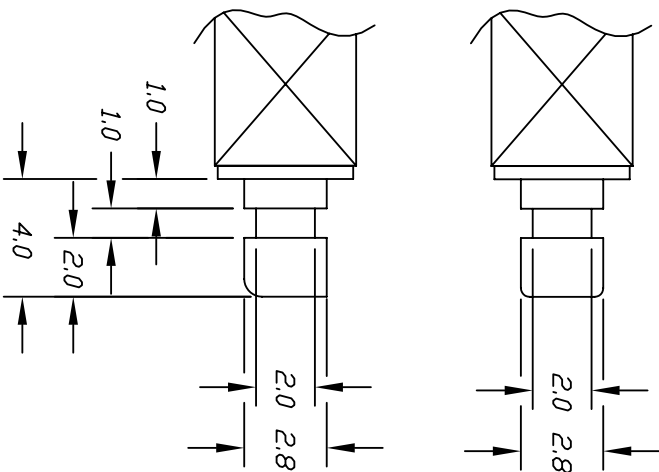
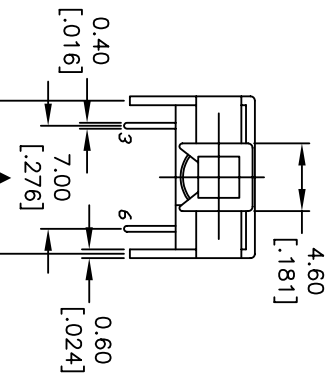
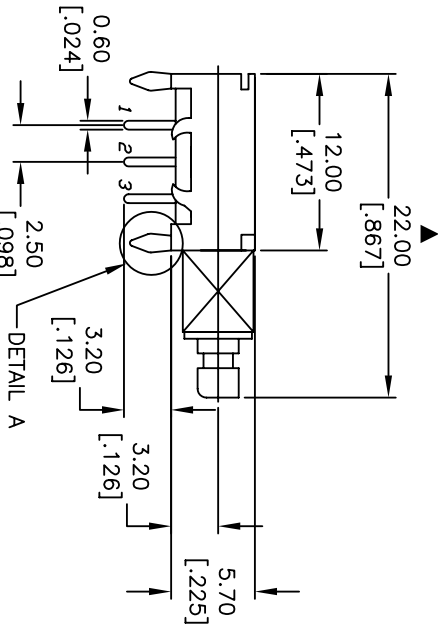
CONTACT CONFIGURATION



RECOMMEND P.C.B. HOLES



DETAIL-A- (6:1)



(ACTUATOR DETAIL) SCALE 4:1

- NOTES:
1. ALL DIMENSIONS IN MM [INCH]
  2. GENERAL TOLERANCE: X.XX=±0.4 X.XXX=±0.25
  3. TERM. NOS. FOR REFERENCE ONLY.
  4. RATING: 0.3A @30VDC
  5. OPERATING FORCE: 330±100GF
  6. TIMING: SHORTING
  7. ▲ DENOTES CRITICAL PARAMETER.
  8. 2002/95/EC (ROHS) COMPLIANT.

B	16210	UPDATE DIMENSIONS	7/6/06	MRM
A	14730	RELEASED FOR PRODUCTION	3/3/05	AR
REV.	ECN No.	DESCRIPTION	DATE	CHKD

TITLE		DATE		DR		DWG		REV	
LC2251EESP		3/3/05		AR		P070001		B	
SCALE		DATE		DR		DWG		REV	
2:1		3/3/05		AR		P070001		B	

**E-SWITCH®**

THE INFORMATION CONTAINED IN THIS DOCUMENT IS PROPRIETARY TO E-SWITCH AND IS NOT TO BE COPIED OR TRANSFERRED