

Excellent Integrated System Limited

Stocking Distributor

Click to view price, real time Inventory, Delivery & Lifecycle Information:

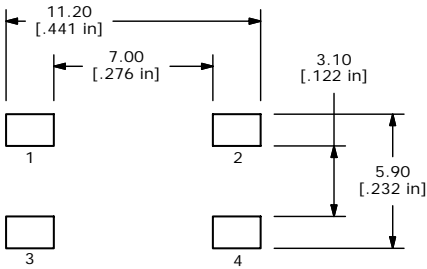
[E-Switch](#)

[LL3301AF065QG](#)

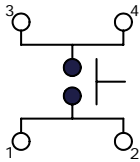
For any questions, you can email us directly:

sales@integrated-circuit.com

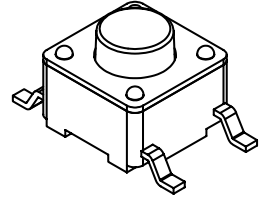
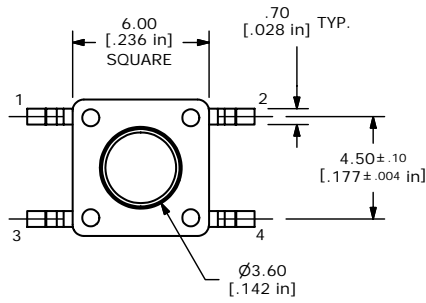
SHEET 1 OF 1



P.C.B. LAYOUT

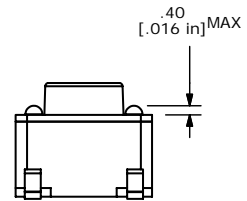
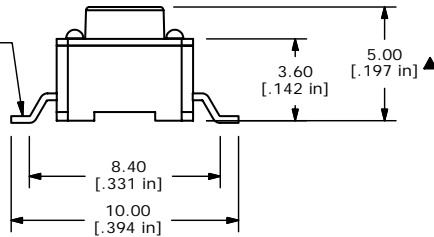


CIRCUIT: SPST



ISOMETRIC

TERMINALS TO BE COPLANER WITHIN 0.10mm



NOTES:

1. ALL DIMENSIONS IN MM [INCH]
2. GENERAL TOLERANCE: $x.xx \pm 0.4$
 $x.xx \pm 0.25$
3. TERM. NOS. FOR REF. ONLY
4. RATING: 50mA, @12V DC
5. TRAVEL: 0.25 ± 0.1 mm
6. CONTACT RESISTANCE: 50m ohms max initial.MOS & TTC COMPATIBLE
7. ELECTRICAL LIFE: 5,000,000 CYCLES MIN.
8. INSULTION RESISTANCE: 100M ohms min.
9. DIELECTRIC STRENGTH: 250VA
10. OPERATING TEMP.: -30°C to 85°C
11. ▲ DENOTES CRITICAL PARAMETER
- ▲ 12. CONTACTS: SILVER PLATED
- ▲ 13. OPENING FORCE: 65 ± 20 GRAMS
14. PACKAGING: TAPE AND REEL, 1200 PIECES PER REEL



B	16198	UPDATE NOTE 13	7/3/06	CT
A	16115	NEW PART RELEASE	6/8/06	CT
REV	PCR NO	DESCRIPTION	DATE	BY

TITLE LL3301AF065QG				
SCALE 4:1	DATE 6/8/2006	DR CT	DWG P090003	REV B

THE INFORMATION CONTAINED IN THIS DOCUMENT IS PROPRIETARY TO E-SWITCH AND IS NOT TO BE COPIED OR TRANSFERRED