

Excellent Integrated System Limited

Stocking Distributor

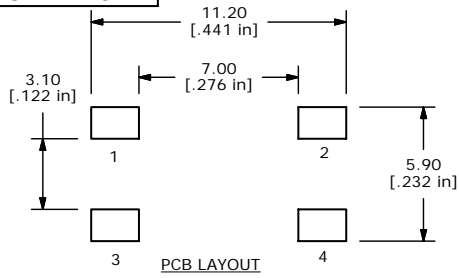
Click to view price, real time Inventory, Delivery & Lifecycle Information:

[E-Switch](#)
[LL3301BF065QG](#)

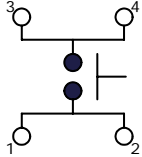
For any questions, you can email us directly:

sales@integrated-circuit.com

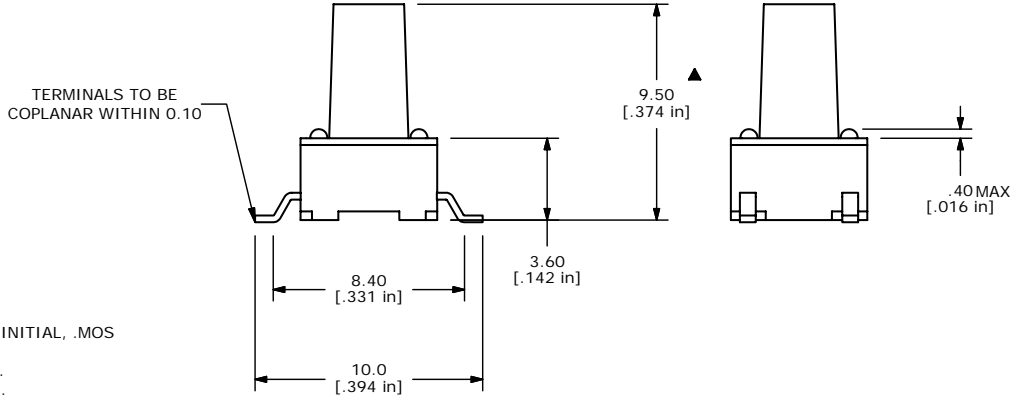
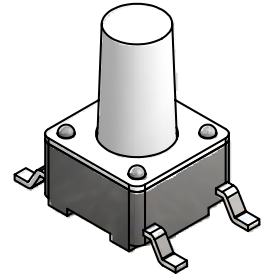
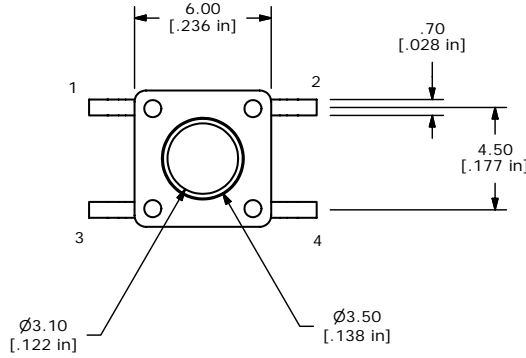
SHEET 1 OF 1



PCB LAYOUT



▲CIRCUIT: SPST



- NOTES:
1. ALL DIMENSIONS IN MM [INCH]
 2. GENERAL TOLERANCE: x.xx ± 0.4
x.xx ± 0.25
 3. TERM. NOS. FOR REF. ONLY
 4. RATING: 50mA, @12V DC
 5. TRAVEL: 0.25±0.1mm
 6. CONTACT RESISTANCE: 50m OHMS MAX. INITIAL, .MOS & TTC COMPATIBLE
 7. ELECTRICAL LIFE: 5,000,000 CYCLES MIN.
 8. INSULATION RESISTANCE: 100M ohms min.
 9. DIELECTRIC STRENGTH: 250VA
 10. OPERATING TEMP.: -30°C to 85°C
 11. ▲ DENOTES CRITICAL PARAMETER
 - ▲12. CONTACTS: SILVER PLATED
 - ▲13. OPENING FORCE: 65± 20 GRAMS
 14. PACKAGING: TAPE AND REEL, 500 PIECES PER REEL
 15. 2002/95/EC (ROHS) COMPLIANT.



TITLE LL3301BF065QG

A	16186	new release	7/11/06	rc
REV	PCR NO	DESCRIPTION	DATE	BY

THE INFORMATION CONTAINED IN THIS DOCUMENT IS PROPRIETARY TO E-SWITCH AND IS NOT TO BE COPIED OR TRANSFERRED

SCALE 4	DATE 7/11/2006	DR RC	DWG P090005	REV A
---------	----------------	-------	-------------	-------