

## Excellent Integrated System Limited

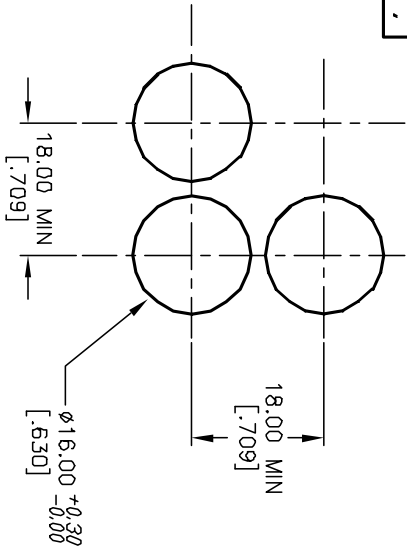
Stocking Distributor

Click to view price, real time Inventory, Delivery & Lifecycle Information:

[E-Switch](#)  
[P16EER11CGRN](#)

For any questions, you can email us directly:  
[sales@integrated-circuit.com](mailto:sales@integrated-circuit.com)

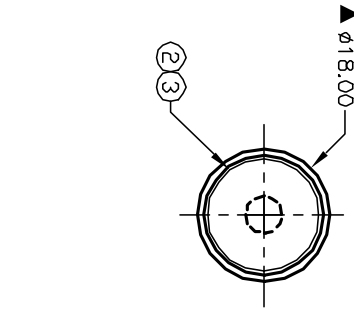
SHEET 1 OF 1



RECOMMEND PANEL MOUNTING

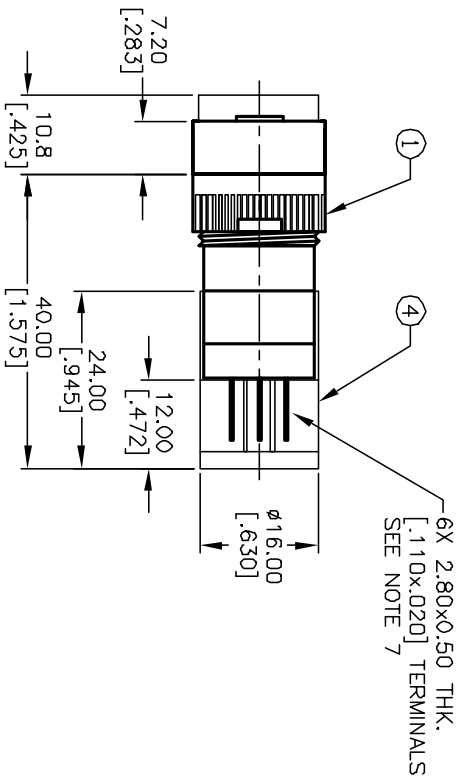
1 0 1 0 2  
 3 0 0 4  
 a-L-b (+)

CONTACT CONFIGURATION



PARTS LIST

ITEM	QTY.	PART NO.	PART DESCRIPTION
1	1	F040015	P16 EE R11
2	1	F050405	50-004-05 (Incandescent)
3	1	F052112	50-001-12 (GREEN TRANSPARENT)
4	1	F051601	P16 PLASTIC TERMINAL PROTECTOR



NOTES:

1. ALL DIMENSIONS IN MM [INCH]
2. GENERAL TOLERANCE: X.X=±0.4  
X.XX=±0.25
3. TERM. NOS. FOR REFERENCE ONLY.
4. RATING: 5A@250V AC / 8A@125V AC
5. MECHANICAL LIFETIME: >2 MILLION OPERATIONS
6. TRAVEL: 3.0MM
7. CONTACT MATERIAL: COPPER ALLOY W/SILVER PLATING
8. LAMP VOLTAGE: 24V AC/DC @ 40mA
9. ▲ DENOTES CRITICAL PARAMETER.

REV.	ECN NO.	DESCRIPTION	DATE	CHKD
B	13169	CORRECT PART # FOR ITEM 1	5/28/03	AR
A	13127	RELEASED FOR PRODUCTION	5/9/03	AR

TITLE		SCALE	DATE	DR	DWG	REV
P16EER11CGRN		1.5:1	5/9/03	AR	XF0554B	B

**E-SWITCH®**

THE INFORMATION CONTAINED IN THIS DOCUMENT IS PROPRIETARY TO E-SWITCH AND IS NOT TO BE COPIED OR TRANSFERRED