

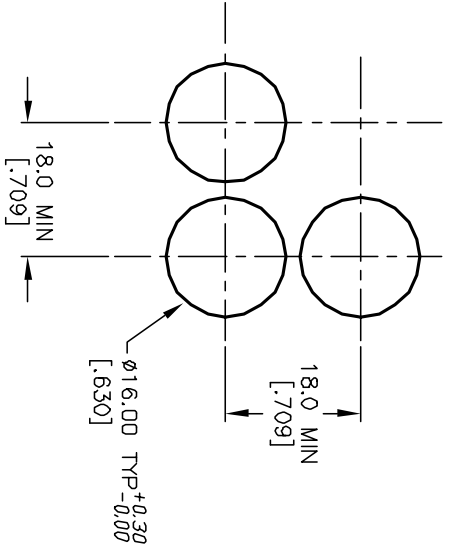
Excellent Integrated System Limited

Stocking Distributor

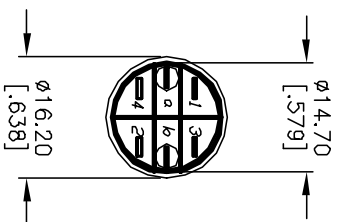
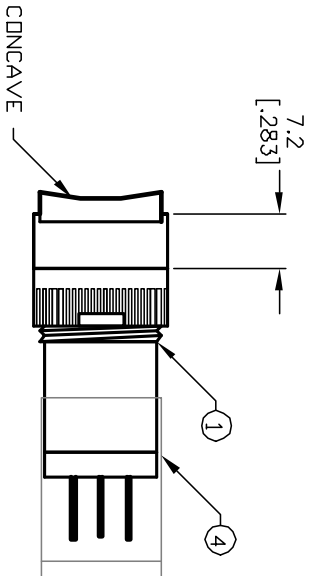
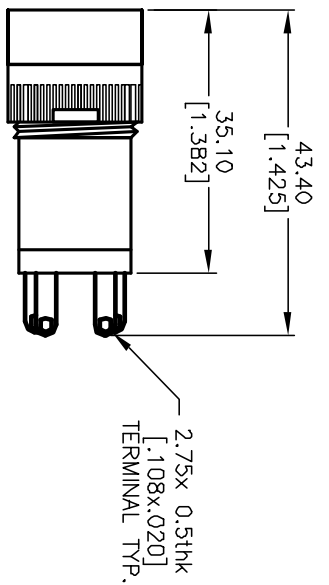
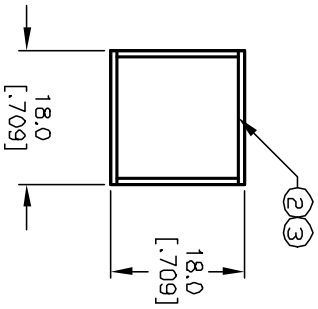
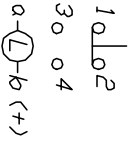
Click to view price, real time Inventory, Delivery & Lifecycle Information:

[E-Switch](#)
[P16EES11AGRN](#)

For any questions, you can email us directly:
sales@integrated-circuit.com



RECOMMEND PANEL MOUNTING



SPST
CONTACT CONFIGURATION

NOTES:

1. ALL DIMENSIONS IN MM [INCH]
2. GENERAL TOLERANCE: X.X=±0.4 X.XX=±0.25
3. TERM. NOS. FOR REFERENCE ONLY.
4. RATING: 5A@250V AC; 8A@125V AC
5. MECHANICAL LIFETIME: >2 MILLION OPERATIONS
6. TRAVEL: 3.0MM (TOTAL)
7. CONTACT MATERIAL: COPPER ALLOY W/SILVER PLATING
8. LAMP VOLTAGE: 6V DC/200mA

PARTS LIST

ITEM	QTY.	PART NO.	PART DESCRIPTION
1	1	F040011	P16 EE S11
2	1	F050402	50-004-02 (Incandescent)
3	1	F050302	50-003-02 (GRN LENS TRANSPARENT)
4	1	F051601	P16 PLASTIC TERMINAL PROTECTOR

E-SWITCH®

REV.	ECN NO.	DESCRIPTION	DATE	CHKD
A	12523	RELEASED FOR PRODUCTION	11/19/02	CB

TITLE	SCALE	DATE	DR	DWG	REV
P16 EE S11 A GRN TRANSPARENT /CONCAVE LENS	1.5:1	11/19/02	CB	XF0528P	A

THE INFORMATION CONTAINED IN THIS DOCUMENT IS PROPRIETARY TO E-SWITCH AND IS NOT TO BE COPIED OR TRANSMITTED