

## Excellent Integrated System Limited

Stocking Distributor

Click to view price, real time Inventory, Delivery & Lifecycle Information:

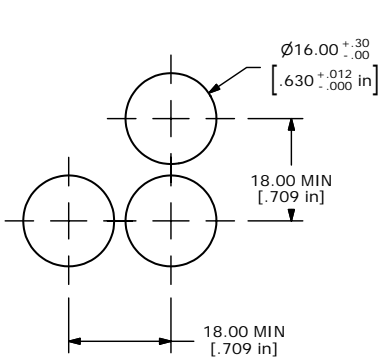
[E-Switch](#)  
[P16OAR110RED](#)

For any questions, you can email us directly:

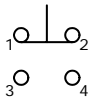
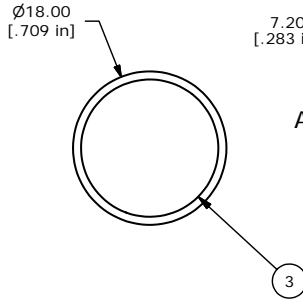
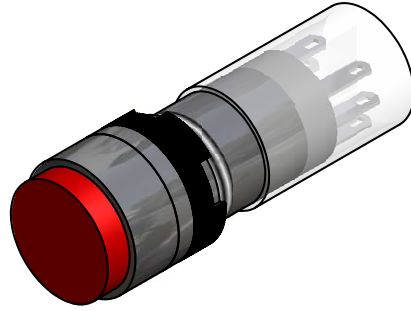
[sales@integrated-circuit.com](mailto:sales@integrated-circuit.com)

SHEET 1 OF 1

PARTS LIST			
ITEM	QTY	PART NUMBER	DESCRIPTION
1	1	F040014	P16OAR11
2	1	F051601	P16 PLASTIC TERMINAL PROTECTOR
3	1	F050117	ROUND FLAT RED

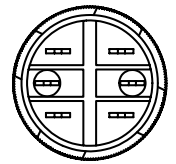
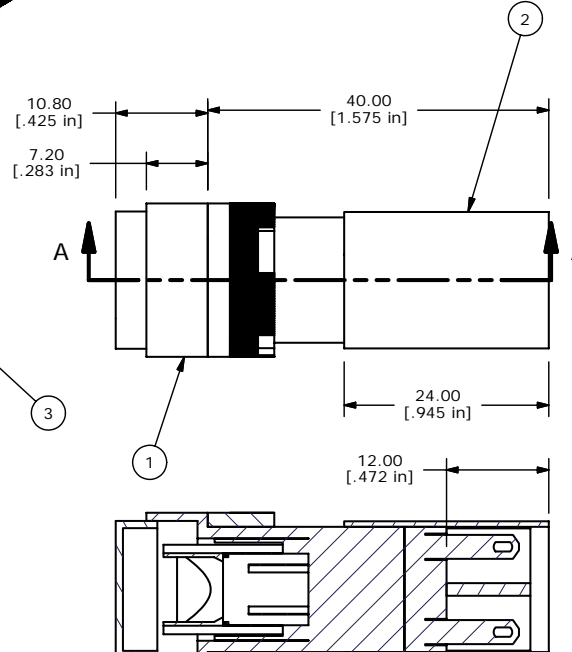


PANEL MOUNTING



SPDT CONTACT CONFIGURATION

- NOTE:
1. ALL DIMENSIONS IN MM [INCH]
  2. GENERAL TOLERANCE: X.X = ±0.4  
X.XX = ±0.25
  3. TERMINAL NUMBERS FOR REF ONLY
  4. MECHANICAL LIFE: 2,000,000 OPERATIONS
  5. INSULATION RESISTANCE: 1,000 MEGA-OHM MIN.
  6. OPERATING TEMP.: -25°C to 70°C
  - ▲ 7. LAMP VOLTAGE: NO LAMP
  8. CONTACT RATING: 5A @ 250VAC  
6A @ 240VAC
  9. ▲ DENOTES CRITICAL PARAMETER.



SECTION A-A  
SCALE 1.50 : 1



B	15948	EDIT PARTS LIST	4/5/06	PH
A	15352	RELEASED FOR PRODUCTION	10/3/05	PH
REV	PCR NO	DESCRIPTION	DATE	BY

TITLE P16OAR110RED				
SCALE 2:1	DATE 10/3/2005	DR PH	DWG XF0645P	REV B

THE INFORMATION CONTAINED IN THIS DOCUMENT IS PROPRIETARY TO E-SWITCH AND IS NOT TO BE COPIED OR TRANSFERRED