

Excellent Integrated System Limited

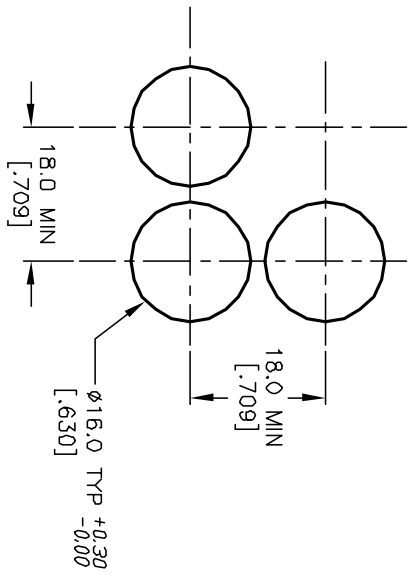
Stocking Distributor

Click to view price, real time Inventory, Delivery & Lifecycle Information:

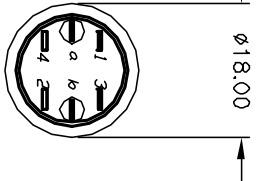
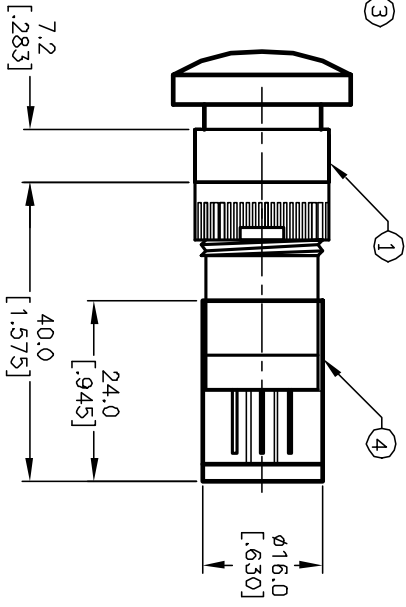
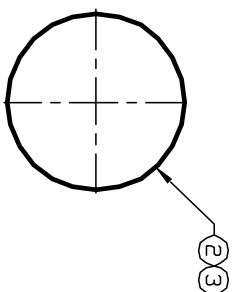
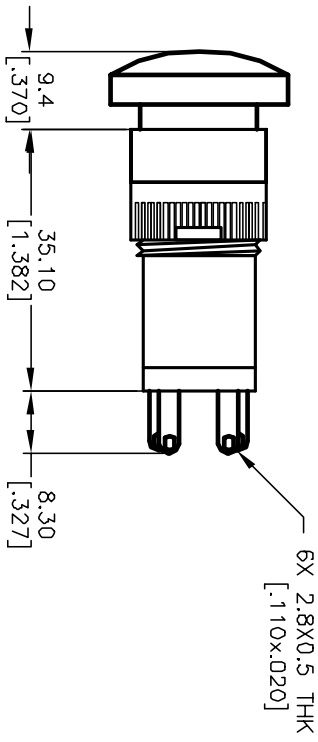
[E-Switch](#)
[P16OAR1JREDRED](#)

For any questions, you can email us directly:

sales@integrated-circuit.com



RECOMMENDED PANEL MOUNTING



1.0 ± 0.2
 3.0 ± 0.4
 a-L-b (+)

CONTACT CONFIGURATION

NOTES:

1. ALL DIMENSIONS IN MM [INCH]
2. GENERAL TOLERANCE: X.X=±0.4 X.XX=±0.25
3. TERM. NOS. FOR REFERENCE ONLY.
4. RATING: 5A @250V AC; 8A @125V AC
5. MECHANICAL LIFETIME: >2 MILLION OPERATIONS
6. TRAVEL: 3.0MM
7. CONTACT MATERIAL: COPPER ALLOY W/SILVER PLATING
8. LAMP VOLTAGE: 12V DC

PARTS LIST

ITEM	QTY.	PART NO.	PART DESCRIPTION
1	1	F040014	P16 0A R11
2	1	F050420	50-004-20(RED LED)
3	1	F051212	50-012-12 (RED LENS TRANSPARENT)
4	1	F051601	P16 PLASTIC TERMINAL PROTECTOR

E-SWITCH®

REV.	ECN NO.	DESCRIPTION	DATE	CHKD
A	12483	RELEASED FOR PRODUCTION	10/14/02	CB

TITLE	SCALE	DATE	DR	DWG	REV
P16 0A R 1 J RED RED (MOMENTARY) TRANSPARENT MUSHROOM HEAD	1.5:1	10/04/02	CB	XF0520P	A

THE INFORMATION CONTAINED IN THIS DOCUMENT IS PROPRIETARY TO E-SWITCH AND IS NOT TO BE COPIED OR TRANSMITTED