

Excellent Integrated System Limited

Stocking Distributor

Click to view price, real time Inventory, Delivery & Lifecycle Information:

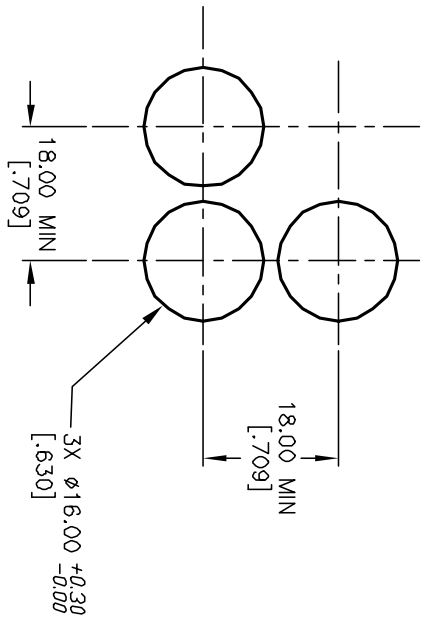
[E-Switch](#)
[P16OAS110BLU](#)

For any questions, you can email us directly:

sales@integrated-circuit.com

SHEET OF

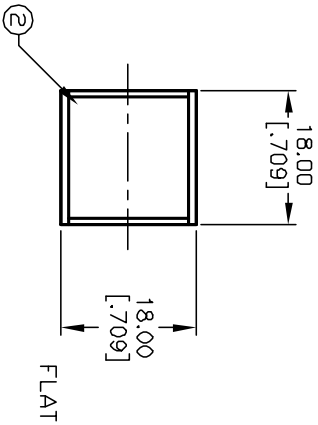
PARTS LIST			
ITEM	QTY.	PART NO.	PART DESCRIPTION
1	1	F040010	P16 OA S11
2	1	F052311	50-003-11 (BLU OPAQUE LENS)



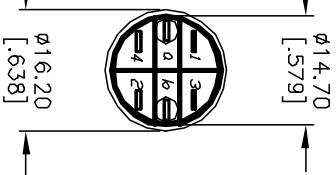
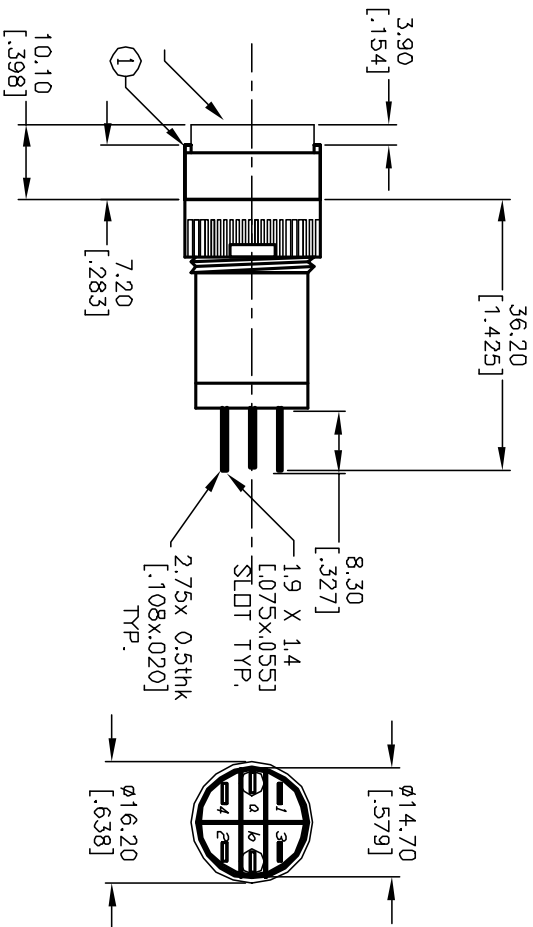
RECOMMENDED
PANEL MOUNTING

1.0 ± 0.2
3.0 ± 0.4
a-L-b (+)

SPST
CONTACT CONFIGURATION



FLAT



NOTES:

1. ALL DIMENSIONS IN MM [INCH]
2. GENERAL TOLERANCE: X.X=±0.4
X.XX=±0.25
3. TERM. NOS. FOR REFERENCE ONLY.
4. RATING: 5A@250V AC / 8A@125V AC
5. MECHANICAL LIFETIME: >2 MILLION OPERATIONS
6. TRAVEL: 3.0MM
7. CONTACT MATERIAL: COPPER ALLOY W/SILVER PLATING

REV.	ECN NO.	DESCRIPTION	DATE	CHKD
A	12455	RELEASED FOR PRODUCTION	10/1/02	CB

TITLE	SCALE	DATE	DR	DWG	REV
P16 OA S11 0 BLU	1.5:1	10/1/02	CB	XF0518P	A

E-SWITCH®

THE INFORMATION CONTAINED IN THIS DOCUMENT IS PROPRIETARY TO E-SWITCH AND IS NOT TO BE COPIED OR TRANSMITTED