

Excellent Integrated System Limited

Stocking Distributor

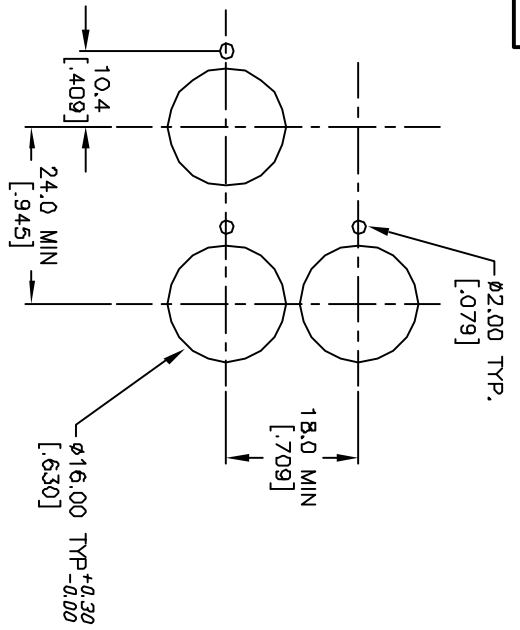
Click to view price, real time Inventory, Delivery & Lifecycle Information:

[E-Switch](#)
[P16OAT110BLU](#)

For any questions, you can email us directly:

sales@integrated-circuit.com

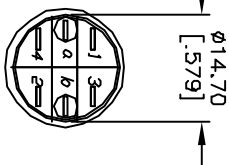
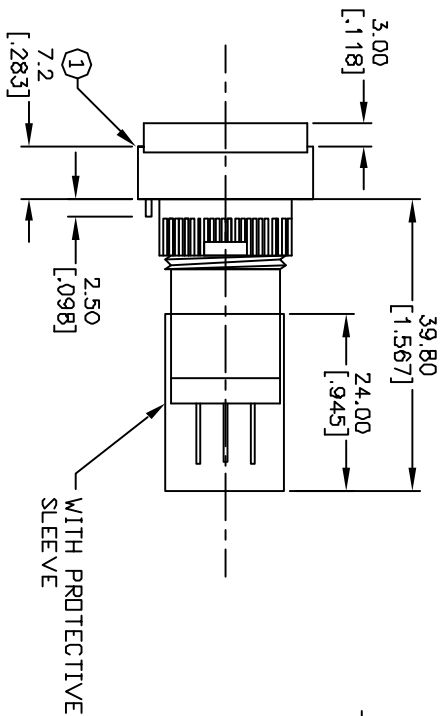
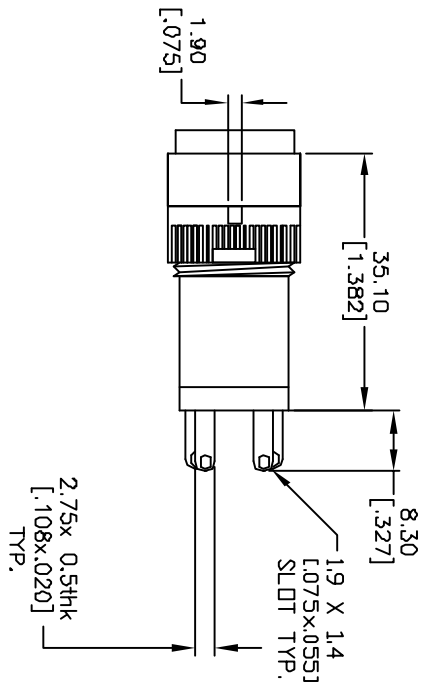
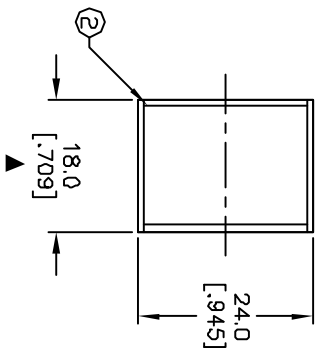
PARTS LIST			
ITEM	QTY.	PART NO.	PART DESCRIPTION
1	1	F040012	P16 OA T11
2	1	F050211	50-002-11 (BLUE/LENs TRANSPARENT)



RECOMMEND PANEL MOUNTING

1 0 0 2
 3 0 0 4
 a-L-b (+)

SPST
 CONTACT CONFIGURATION



- NOTES:
1. ALL DIMENSIONS IN MM [INCH]
 2. GENERAL TOLERANCE: X.X=±0.4 X.XX=±0.25
 3. TERM. NOS. FOR REFERENCE ONLY.
 4. RATING: 5A@250V AC / 8A@125V AC
 5. MECHANICAL LIFETIME: >2 MILLION OPERATIONS
 6. TRAVEL: 3.0MM
 7. CONTACT MATERIAL: COPPER ALLOY W/SILVER PLATING
 8. ▲ DENOTES CRITICAL PARAMETER.

REV.	ECN NO.	RELEASED FOR PRODUCTION	DESCRIPTION	DATE	CHKD
A	13232			8/24/03	AR

TITLE	SCALE	DATE	DR	DWG	REV
P16OAT110BLU	1:1	6/24/03	AR	XF0558P	A

E-SWITCH®

THE INFORMATION CONTAINED IN THIS DOCUMENT IS PROPRIETARY TO E-SWITCH AND IS NOT TO BE COPIED OR TRANSFERRED