

## Excellent Integrated System Limited

Stocking Distributor

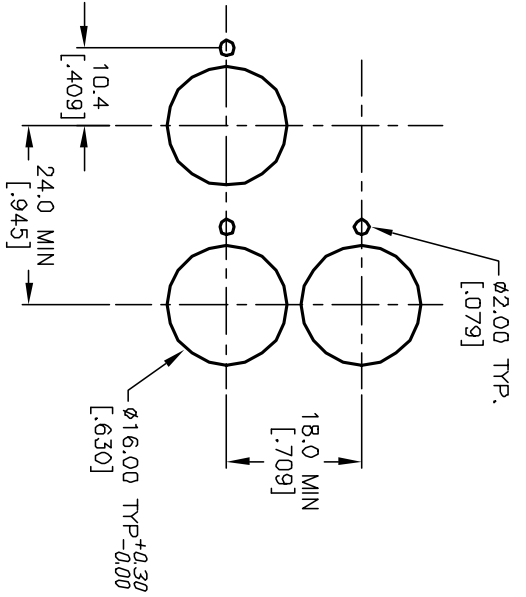
Click to view price, real time Inventory, Delivery & Lifecycle Information:

[E-Switch](#)  
[P16OAT11KYELYEL](#)

For any questions, you can email us directly:

[sales@integrated-circuit.com](mailto:sales@integrated-circuit.com)

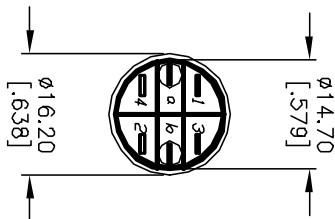
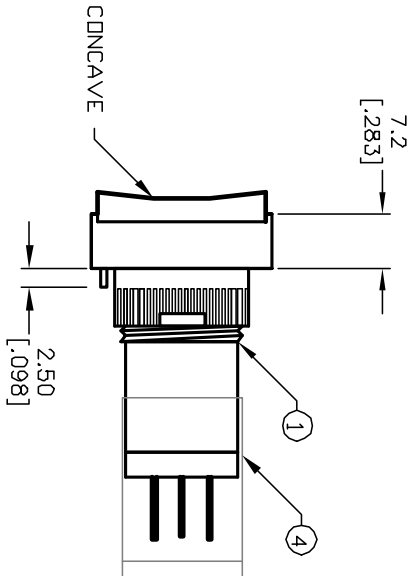
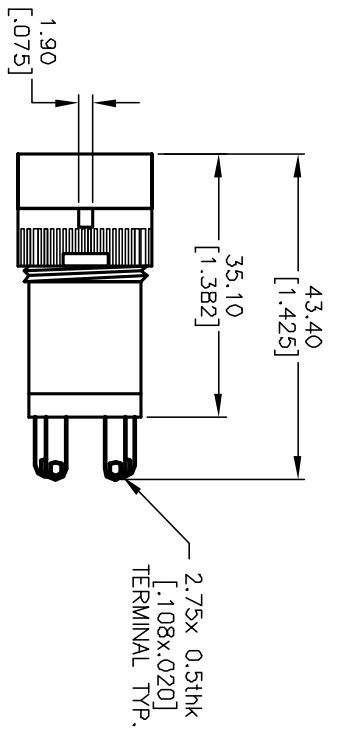
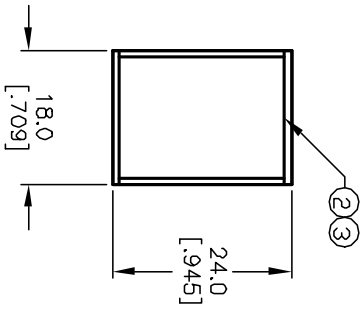
SHEET OF



RECOMMEND PANEL MOUNTING

1 0 0 2  
3 0 0 4  
 $\alpha$ -L-b (+)

SPST  
CONTACT CONFIGURATION



NOTES:

1. ALL DIMENSIONS IN MM [INCH]
2. GENERAL TOLERANCE: X.X=±0.4  
X.XX=±0.25
3. TERM. NOS. FOR REFERENCE ONLY.
4. RATING: 5A@250V AC;  
8A@125V AC
5. MECHANICAL LIFETIME: >2 MILLION OPERATIONS
6. TRAVEL: 3.0MM (TOTAL)
7. CONTACT MATERIAL: COPPER ALLOY W/SILVER PLATING
8. LAMP VOLTAGE: 24V DC

PARTS LIST

ITEM	QTY.	PART NO.	PART DESCRIPTION
1	1	F040012	P16 OA T11
2	1	F050424	50-004-24 (YELLOW L.E.D.)
3	1	F050206	50-002-06 (YEL LENS TRANSPARENT)
4	1	F051601	P16 PLASTIC TERMINAL PROTECTOR

**E-SWITCH®**

TITLE P16 OA T11 K YEL YEL (Momenary)  
TRANSPARENT /CONCAVE LENS

SCALE

1.5:1

DATE

DR

DWG

XF0119P

REV

A

THE INFORMATION CONTAINED IN THIS DOCUMENT IS PROPRIETARY TO E-SWITCH AND IS NOT TO BE COPIED OR TRANSMITTED

REV.	ECN NO.	DESCRIPTION	DATE	CHKD
A	12523	RELEASED FOR PRODUCTION	11/4/02	CB