

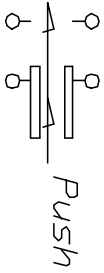
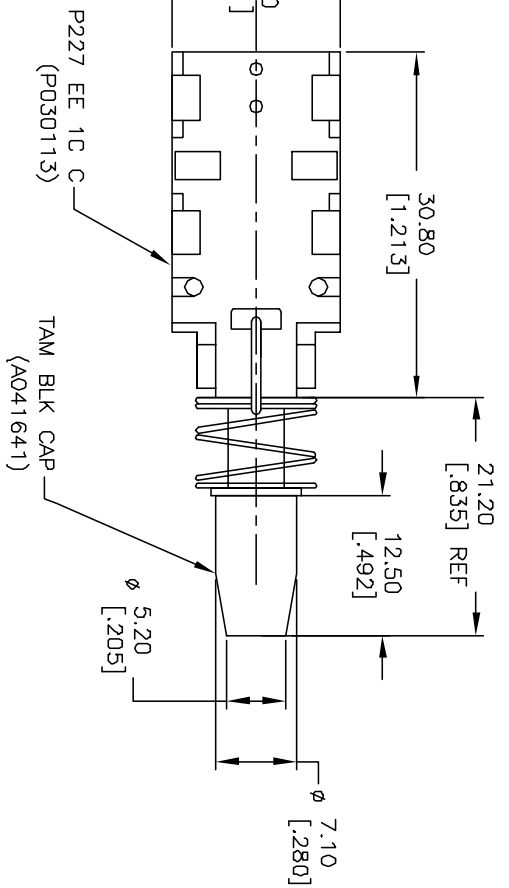
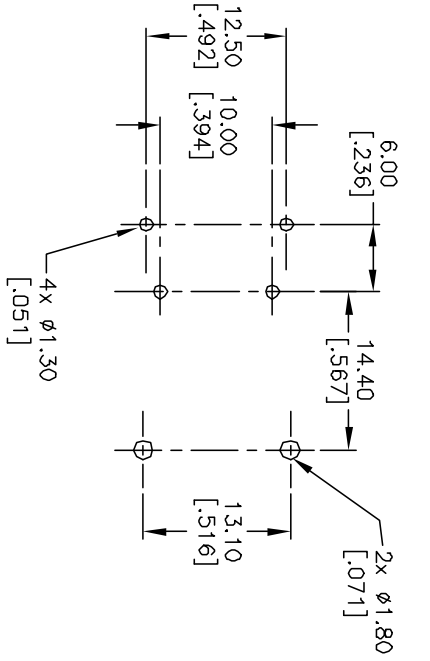
Excellent Integrated System Limited

Stocking Distributor

Click to view price, real time Inventory, Delivery & Lifecycle Information:

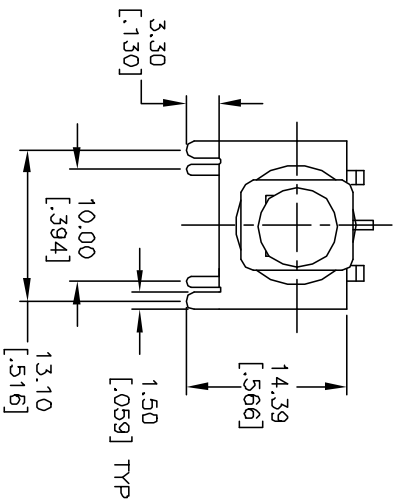
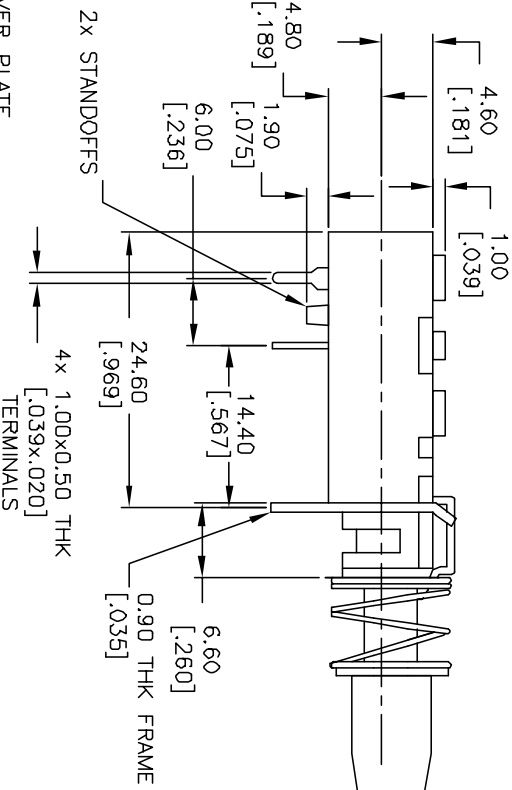
[E-Switch](#)
[P227EE1CCTAMBLK](#)

For any questions, you can email us directly:
sales@integrated-circuit.com



CONTACT CONFIGURATION

- NOTES:
1. ALL DIMENSIONS IN MM [INCH]
 2. GENERAL TOLERANCE: X.X=±0.4 X.XX=±0.25
 3. TERM. NOS. FOR REFERENCE ONLY.
 4. CONTACT MATERIAL: COPPER ALLOY W/ SILVER PLATE
 5. RATING: 7A@125V, 4A@250
 6. CONTACT RESISTANCE: 20M Ω MAX @ 5V DC 1A
 7. DIELECTRIC STRENGTH: AC 1500V RMS
 8. OPERATING FORCE: 550±150gf TYP.
 9. TRAVEL: FULL:5.5, LOCK:4.0



E-SWITCH®

REV.	ECN No.	DESCRIPTION	DATE	CHKD
A	11396	RELEASED FOR PRODUCTION	10/22/01	CJC

TITLE	SCALE	DATE	DR	DWG	REV
P227 EE 1C C/ TAM BLK	1.5:1	10/22/01	CJC	XP02204	A

THE INFORMATION CONTAINED IN THIS DOCUMENT IS PROPRIETARY TO E-SWITCH AND IS NOT TO BE COPIED OR TRANSMITTED