

## Excellent Integrated System Limited

Stocking Distributor

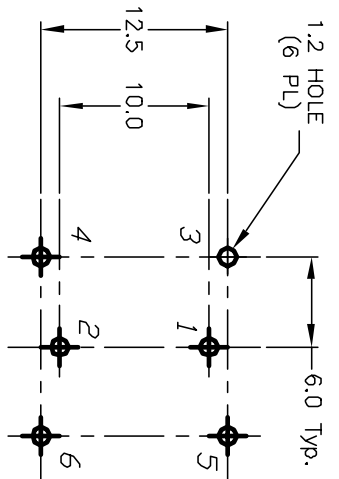
Click to view price, real time Inventory, Delivery & Lifecycle Information:

[E-Switch](#)  
[P227EE2DXATAGBLK](#)

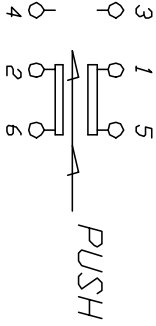
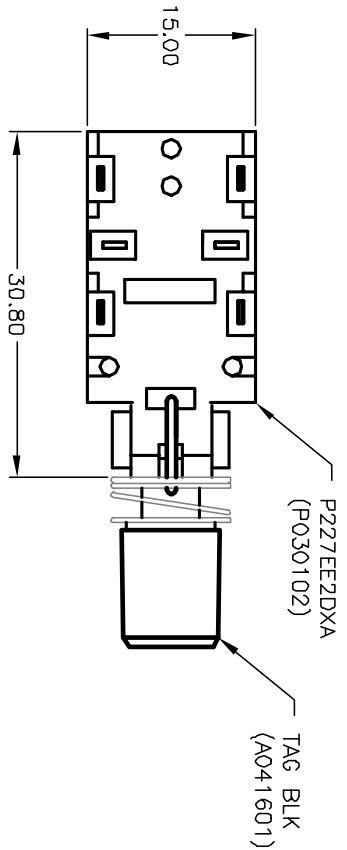
For any questions, you can email us directly:

[sales@integrated-circuit.com](mailto:sales@integrated-circuit.com)

SHEET OF



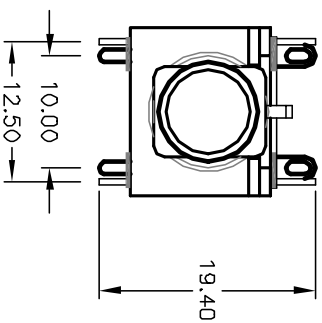
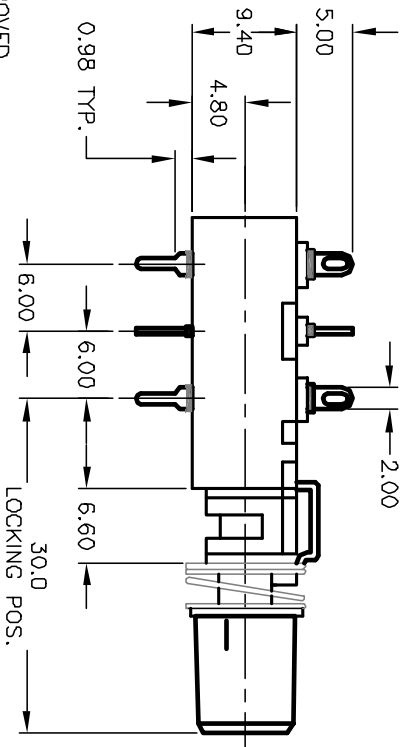
RECOMMEND P.C.B. LAYOUT  
SCALE 2:1



CIRCUIT: DPDT  
CONTACT CONFIGURATION

NOTES:

1. ALL DIMENSIONS IN MM
2. GENERAL TOLERANCE: X.X=±0.4  
X.XX=±0.25
3. TERM. NOS. FOR REF. ONLY
4. RATING: AC 125V 7A, UL,CUL,VDE APPROVED  
AC 250V 4A, UL,CUL,VDE APPROVED
5. CONTACT MATERIAL: COPPER ALLOY WITH SILVER PLATE.
6. CONTACT RESISTANCE: 20m ohm max. at 5V DC 1A.
7. DIELECTRIC STRENGTH: AC 1500V RMS
8. LIFE EXPECTANCY: Electrical: 6,000 cycle
9. OPERATING FORCE: 560±150gf
10. TRAVEL: Full: 5.5mm, Lock: 4.0mm



**E-SWITCH®**

B	11768	REVISED AND REDRAWN	12/10/02	CB
REV.	ECN No.	DESCRIPTION	DATE	CHKD
--	--	DESC WAS P227EE2TAGBLK	--	--

TITLE		P227 EE 2DXA/TAG BLK		
SCALE	DATE	DR	DWG	REV
1.5:1	6/2/97	MM	XP00464	B

THE INFORMATION CONTAINED IN THIS DOCUMENT IS PROPRIETARY TO E-SWITCH AND IS NOT TO BE COPIED OR TRANSMITTED