

Excellent Integrated System Limited

Stocking Distributor

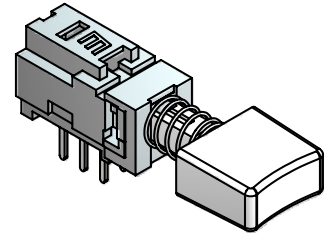
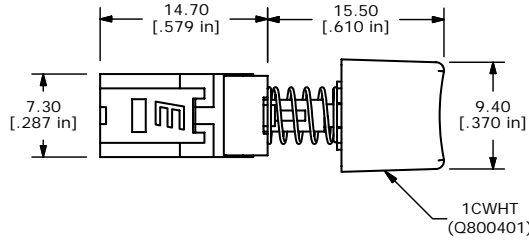
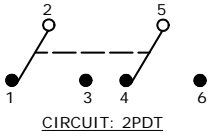
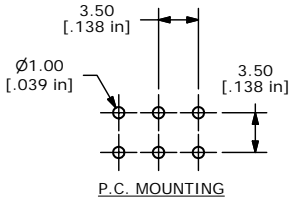
Click to view price, real time Inventory, Delivery & Lifecycle Information:

[E-Switch](#)
[PBH2UEENAG1CWHT](#)

For any questions, you can email us directly:

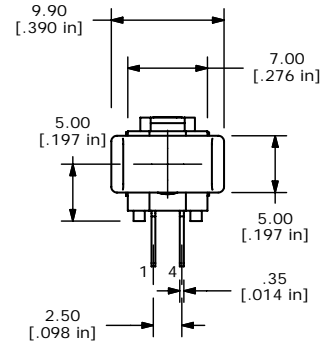
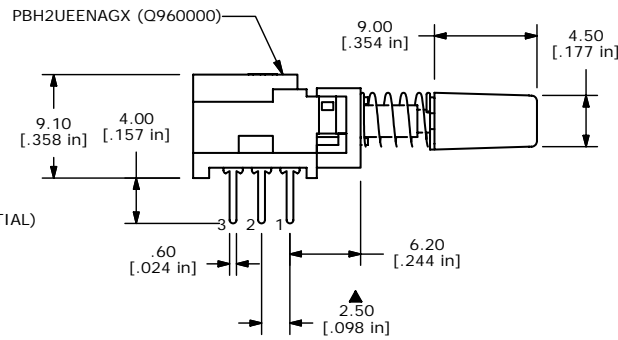
sales@integrated-circuit.com

SHEET 1 OF 1



NOTES:

1. ALL DIMENSIONS IN MM [INCH]
2. GENERAL TOLERANCE: X.X=±0.4
X.XX=±0.25
3. TERM. NOS. FOR REFERENCE ONLY.
4. RATING 0.1A @30V DC
- ▲5. MATERIALS:
CONTACT/TERMINALS: SILVER PLATE
HOUSING: PBT UL94HB
BASE: PA66 UL94HB
ACTUATOR: POM
CAP: ABS UL94VO
6. CONTACT RESISTANCE: 100 MILLI-OHM (INITIAL)
- ▲7. TIMING: NON-SHORTING
8. OPERATING FORCE: 230±50GF
9. TRAVEL: LATCHING
2MM TO LOCK
3MM OVERALL
10. ELECTRICAL LIFE: 10000 CYCLES
11. OPERATING TEMP: -20°C TO +70°C
12. ▲ DENOTES CRITICAL PARAMETER.
13. 2002/95/EC (ROHS) COMPLIANT
14. PACKAGE: TRAYS- 120pcs for one tray.



TITLE PBH2UEENAG1CWHT

A	16815	RELEASED FOR PRODUCTION	1/8/07	TN
REV	PCR NO	DESCRIPTION	DATE	BY

THE INFORMATION CONTAINED IN THIS DOCUMENT IS PROPRIETARY TO E-SWITCH AND IS NOT TO BE COPIED OR TRANSFERRED

SCALE 2:1	DATE 1/8/2007	DR TN	DWG XQ0028P	REV A
-----------	---------------	-------	-------------	-------