

## Excellent Integrated System Limited

Stocking Distributor

Click to view price, real time Inventory, Delivery & Lifecycle Information:

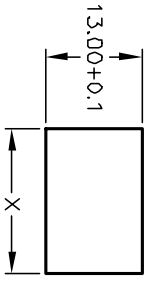
[E-Switch](#)  
[R1966ABLKBLKEGGRN](#)

For any questions, you can email us directly:

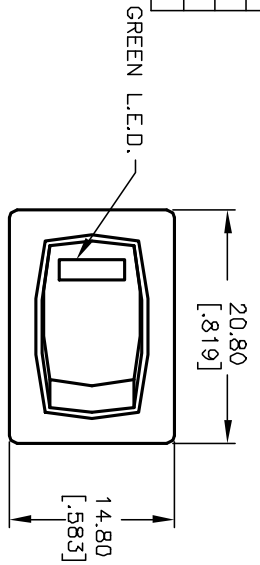
[sales@integrated-circuit.com](mailto:sales@integrated-circuit.com)

SHEET OF

PANEL THICKNESS	X dimension
0.75-1.25 [.030-.049]	19.2-0.1 [.756]
1.25-2.0 [.049-.079]	19.4-0.1 [.764]
2.0-3.0 [.079-.118]	19.8-0.1 [.780]



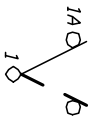
PANEL CUTOUT  
NOT TO SCALE



GREEN L.E.D.

PARAMETERS	SYMBOL	MAX.	TYP.	UNITS
POWER DISSIPATION	$P_d$	80		mW
Avg FORWARD CURRENT	$I_{AF}$	--		mA
PEAK FORWARD CURRENT	$I_{PF}$	100		mA
REVERSE VOLTAGE	$V_R$	5		V
FORWARD VOLTAGE	$V_F$	2.6	2	V
REVERSE CURRENT	$I_{R}$		100	$\mu$ A
EMISSION WAVELENGTH	$\lambda_p$		570	nm
LUMINOUS INTENSITY	$I_v$		30	mcd

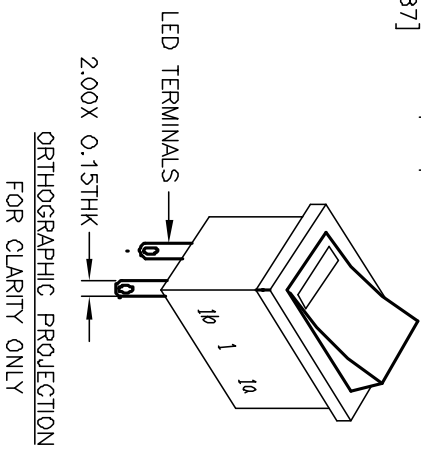
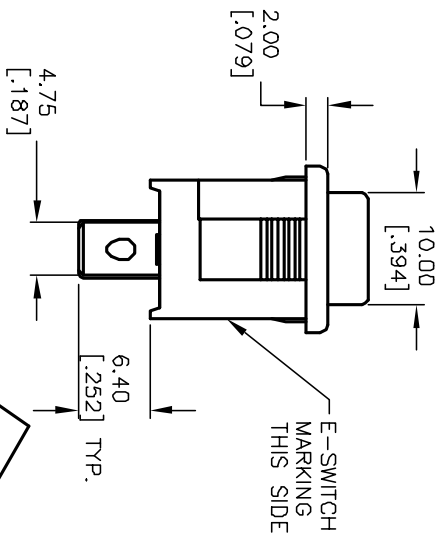
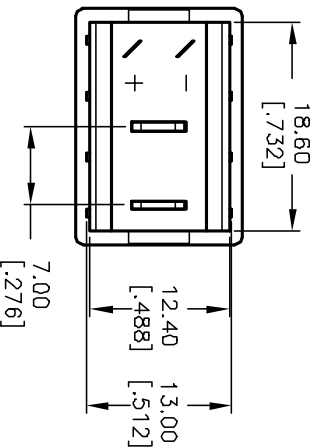
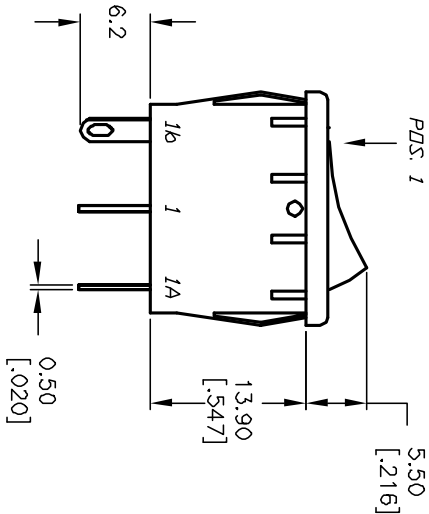
SWITCH FUNCTION	PDS. 1	PDS. 2
DN	DN	DNF
1-1a		OPEN



CIRCUIT: SPST

NOTES:

1. ALL DIMENSIONS IN MM [INCH]
2. GENERAL TOLERANCE: X.X=±0.4 X.XX=±0.25
3. TERMINAL NUMBERS FOR REF ONLY
4. RATING:  
15A @125VAC; 8A @250V UL,VDE,CSA APPROVED  
6A @250VAC
5. MATERIALS: (TERMINALS) SILVER PLATED COPPER  
(CONTACTS) COIN SILVER, SILVER PLATED.
6. CONTACT RESISTANCE: <20 Mega
7. ELECTRICAL LIFE: 10,000 cycles
8. INSULATION RESISTANCE: >1000 Mega
9. DIELECTRIC STRENGTH: >1500V 1 minute  
>3000V between Poles
10. OPERATING TEMP. RANGE: -25°C to +85°C



ORTHOGRAPHIC PROJECTION  
FOR CLARITY ONLY

**E-SWITCH®**

REV.	ECN No.	DESCRIPTION	DATE	CHKD
A	12992	RELEASED FOR PRODUCTION	4/2/03	AR

TITLE	SCALE	DATE	DR	DWG	REV
R1966A BLK BLK E G GRN	1.5:1	4/2/03	AR	M301120	A

THE INFORMATION CONTAINED IN THIS DOCUMENT IS PROPRIETARY TO E-SWITCH AND IS NOT TO BE COPIED OR TRANSMITTED