

Excellent Integrated System Limited

Stocking Distributor

Click to view price, real time Inventory, Delivery & Lifecycle Information:

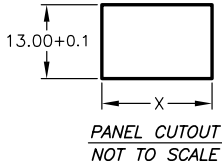
[E-Switch](#)
[R1966AWHTWHTFGRN](#)

For any questions, you can email us directly:

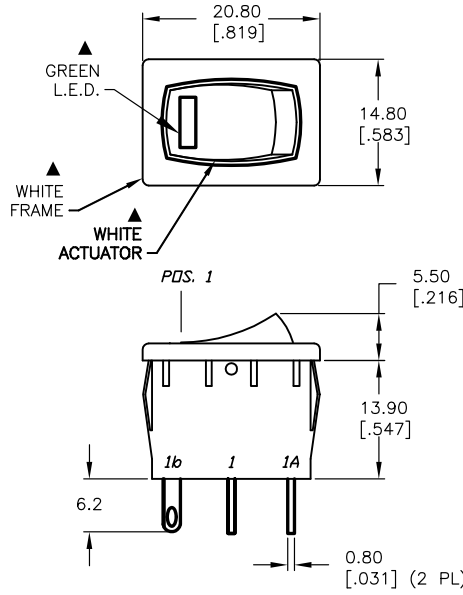
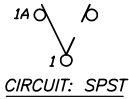
sales@integrated-circuit.com

SHEET OF

PANEL THICKNESS	X dimension
0.75-1.25 [.030-.049]	19.2-0.1 [.756]
1.25-2.0 [.049-.079]	19.4-0.1 [.764]
2.0-3.0 [.079-.118]	19.8-0.1 [.780]

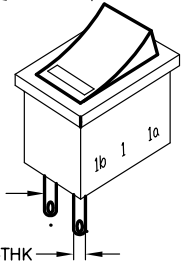
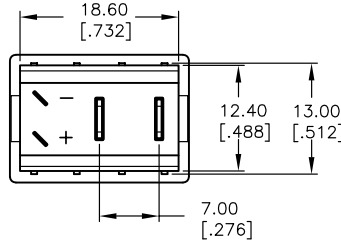
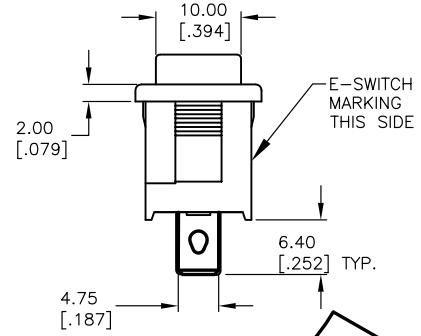


SWITCH FUNCTION	
POS. 1	POS. 2
ON	OFF
1-1a	OPEN



GREEN L.E.D

PARAMETERS	SYMBOL	MAX.	TYP.	UNITS
POWER DISSIPATION	P_D	80		mW
AVE FORWARD CURRENT	I_{AF}	--		mA
PEAK FORWARD CURRENT	I_{PF}	100		mA
REVERSE VOLTAGE	V_R	5		V
FORWARD VOLTAGE	V_F	2.6	2	V
REVERSE CURRENT	I_R		100	μ A
EMISSION WAVELENGTH	λ_P		570	nm
LUMINOUS INTENSITY	I_V		30	mcd



- NOTES:
- ALL DIMENSIONS IN MM [INCH]
 - GENERAL TOLERANCE: X.X=±0.4
X.XX=±0.25
 - TERMINAL NUMBERS FOR REF ONLY
 - RATING: 15A @ 125VAC OR 6A @ 250VAC
 - MATERIALS: (TERMINALS) SILVER PLATED COPPER (CONTACTS) COIN SILVER, SILVER PLATED.
 - CONTACT RESISTANCE: <20 Mega
 - ELECTRICAL LIFE: 10,000 cycles
 - INSULATION RESISTANCE: >1000 Mega
 - DIELECTRIC STRENGTH: >1500V 1 minute >3000V between Poles
 - OPERATING TEMP. RANGE: -25°C to +85°C

E-SWITCH®

TITLE		R1966AWHTWHTFGRN			
SCALE	DATE	DR	DWG	REV	
1.5:1	12/19/03	AR	M301122	A	

A	13661	RELEASED FOR PRODUCTION	12/19/03	AR
REV.	ECN No.	DESCRIPTION	DATE	CHKD
THE INFORMATION CONTAINED IN THIS DOCUMENT IS PROPRIETARY TO E-SWITCH AND IS NOT TO BE COPIED OR TRANSFERRED				