

## Excellent Integrated System Limited

Stocking Distributor

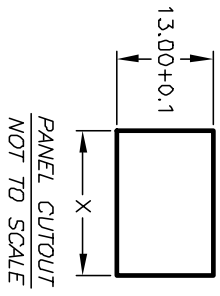
Click to view price, real time Inventory, Delivery & Lifecycle Information:

[E-Switch](#)  
[R1966AWHTWHTEFRED](#)

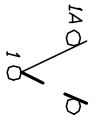
For any questions, you can email us directly:  
[sales@integrated-circuit.com](mailto:sales@integrated-circuit.com)

SHEET OF

PANEL THICKNESS	X dimension
0.75-1.25 [.030-.049]	19.2-0.1 [.756]
1.25-2.0 [.049-.079]	19.4-0.1 [.764]
2.0-3.0 [.079-.118]	19.8-0.1 [.780]



SWITCH FUNCTION	
POS. 1	POS. 2
DN	OFF
1-1a	OPEN

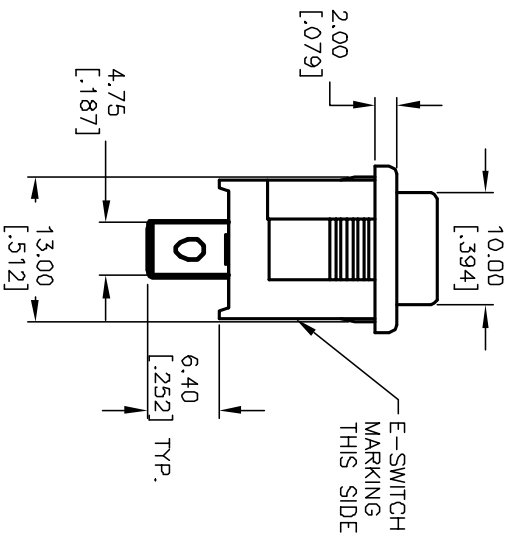
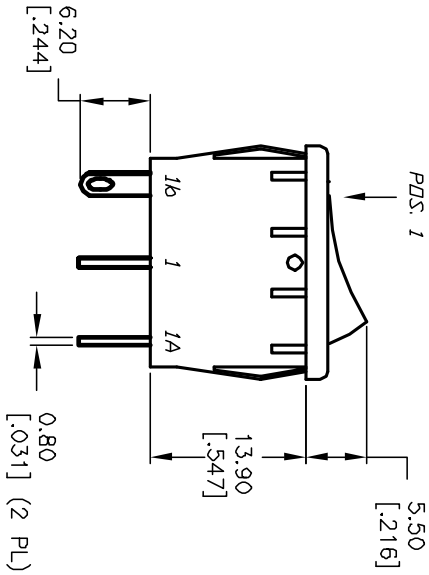
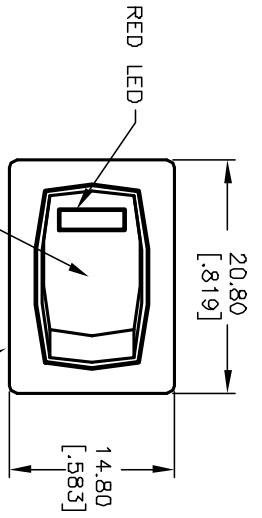
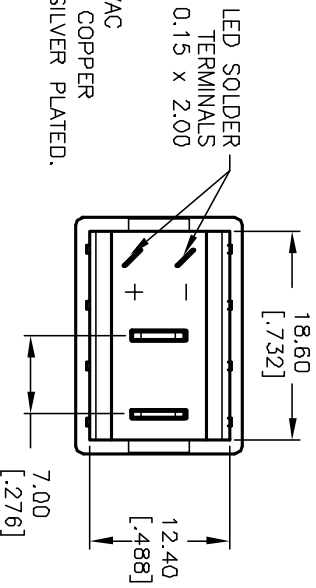


CIRCUIT: SPST

NOTES:

1. ALL DIMENSIONS IN MM [INCH]
2. GENERAL TOLERANCE: X.X=±0.4 X.XX=±0.25
3. TERMINAL NUMBERS FOR REF ONLY
4. RATING: 15A @ 125VAC OR 6A @ 250VAC
5. MATERIALS: (TERMINALS) SILVER PLATED COPPER (CONTACTS) COIN SILVER, SILVER PLATED.
6. CONTACT RESISTANCE: <20 Mega
7. ELECTRIC LIFE: 10,000 cycles
8. INSULATION RESISTANCE: >1000 Mega
9. DIELECTRIC STRENGTH: >1500V 1 minute >3000V between Poles

LED SOLDER TERMINALS 0.15 x 2.00



RED L.E.D.

PARAMETERS	SYMBOL	MAX.	TYP.	UNITS
POWER DISSIPATION	P <sub>d</sub>	80		mW
AVE FORWARD CURRENT	I <sub>AF</sub>	--		mA
PEAK FORWARD CURRENT	I <sub>PF</sub>	100		mA
REVERSE VOLTAGE	V <sub>R</sub>	5		V
FORWARD VOLTAGE	V <sub>F</sub>	2.1	1.7	V
REVERSE CURRENT	I <sub>R</sub>		100	µA
EMISSION WAVELENGTH	λ <sub>p</sub>		660	nm
LUMINOUS INTENSITY	I <sub>v</sub>		30	mcd

**E-SWITCH®**

R1966A WHT WHT E F RED

REV.	ECN No.	DESCRIPTION	DATE	CHKD	CJB
D	11666	REVISED AND REDRAWN	9/20/01		

TITLE	SCALE	DATE	DR	DWG	REV
R1966A WHT WHT E F RED	1.5:1	10/31/96	MM	M301108	D

THE INFORMATION CONTAINED IN THIS DOCUMENT IS PROPRIETARY TO E-SWITCH AND ITS NOT TO BE COPIED OR TRANSMITTED