

Excellent Integrated System Limited

Stocking Distributor

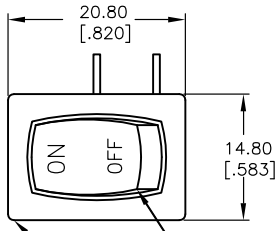
Click to view price, real time Inventory, Delivery & Lifecycle Information:

[E-Switch](#)
[R1966AWHTWHTIR](#)

For any questions, you can email us directly:

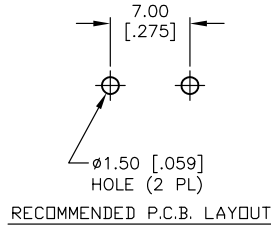
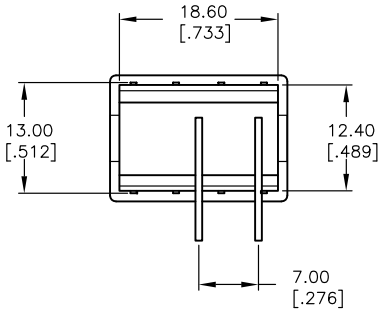
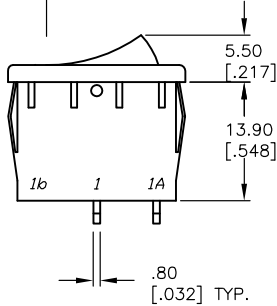
sales@integrated-circuit.com

SHEET OF

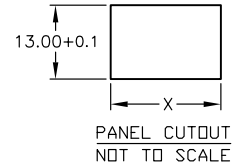


ACTUATOR COLOR: WHITE ▲
 BODY COLOR: WHITE ▲

POS. 1

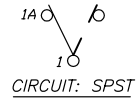


PANEL THICKNESS	X dimension
0.75-1.25 [.030-.049]	19.2-0.1 [.756]
1.25-2.0 [.049-.079]	19.4-0.1 [.764]
2.0-3.0 [.079-.118]	19.8-0.1 [.780]

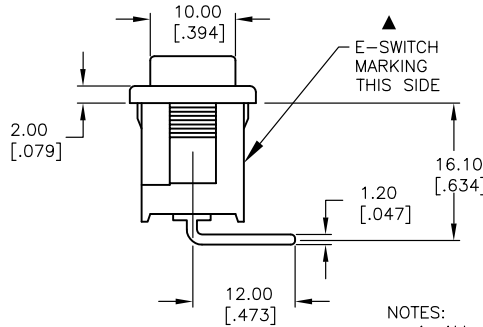


PANEL CUTOUT
NOT TO SCALE

SWITCH FUNCTION	
POS. 1	POS. 2
ON	OFF
1-1a	OPEN



CIRCUIT: SPST



NOTES:

- ALL DIMENSIONS IN MM [INCH]
- GENERAL TOLERANCE: X.X=±0.4
X.XX=±0.25
- TERMINAL NUMBERS FOR REF ONLY
- RATING: 15A @ 125VAC OR
▲ 6A @ 250VAC
- APPROVALS:
(UL, CSA, VDE, NEMKO, SEMKO, FIMKO, DEMKO)
- MATERIALS: TERMINALS: Silver Plated Copper Alloy
CONTACTS: Coin Silver, Silver Plated
- ELECTRICAL LIFE: 10,000 cycles
- CONTACT RESISTANCE: <20 Mega Ω
- INSULATION RESISTANCE: >1000 Mega Ω
- DIELECTRIC STRENGTH: >1500 V 1 minute
>3000 V between poles
- ▲ DENOTES CRITICAL PARAMETER.

E-SWITCH®

TITLE

R1966AWHTWHTIR

REV.	ECN No.	DESCRIPTION	DATE	CHKD
A	13411	RELEASED FOR PRODUCTION	8/28/03	AR

THE INFORMATION CONTAINED IN THIS DOCUMENT IS PROPRIETARY TO E-SWITCH AND IS NOT TO BE COPIED OR TRANSFERRED

SCALE 1.5:1

DATE 8/28/03

DR AR

DWG M301252

REV A