

## Excellent Integrated System Limited

Stocking Distributor

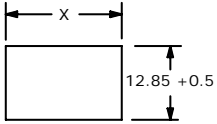
Click to view price, real time Inventory, Delivery & Lifecycle Information:

[E-Switch](#)  
[R1966CGRYGRYFF](#)

For any questions, you can email us directly:

[sales@integrated-circuit.com](mailto:sales@integrated-circuit.com)

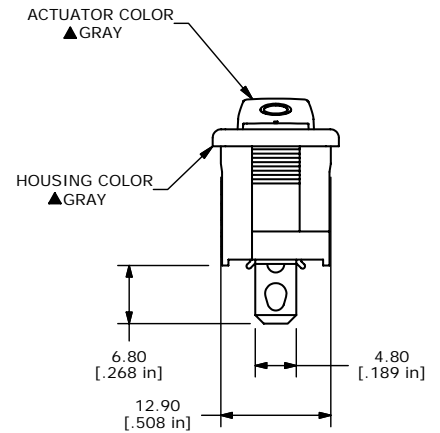
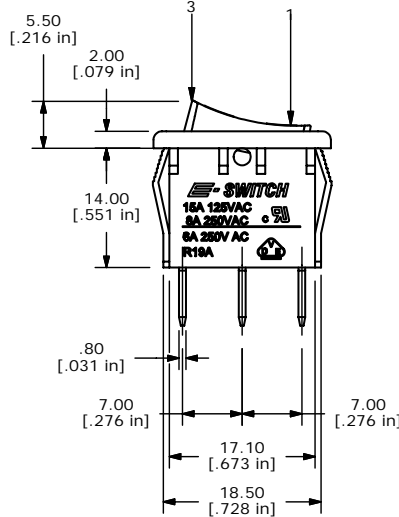
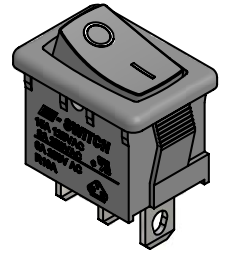
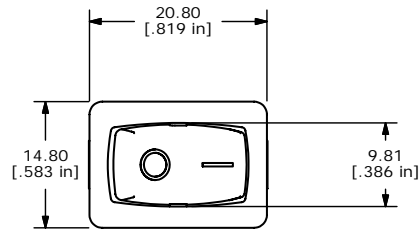
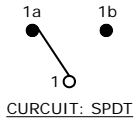
SHEET 1 OF 1



RECOMMENDED PANEL MOUNTING

PANEL THICKNESS	X
0.75-1.25	19.20-19.30
1.25-2.00	19.30-19.40
2.00-3.00	19.50-19.60

SWITCH FUNCTION		
POS. 1	POS. 2	POS. 3
ON	NONE	ON
1-1a	N/A	1-1b



- NOTES:
- ALL DIMENSIONS IN MM [INCH]
  - GENERAL TOLERANCE: X.X=±0.4  
X.XX=±0.25
  - TERM. NOS. FOR REF. ONLY
  - RATING: 15A @125VAC (UL);  
8A @250VAC (UL);  
6A @ 250VAC (VDE)
  - ▲5. LAMP VOLTAGE: NO LAMP
  - MATERIAL:  
CONTACT SURFACE: SILVER ALLOY.  
TERMINAL: COPPER ALLOY W/SILVER PLATE
  - ELECTRICAL LIFE: 10,000 CYCLES
  - CONTACT RESISTANCE: <20 MILLI-OHMS INITIAL
  - DIELECTRIC STRENGTH: >1,500V AC 1 MIN
  - ▲ DENOTES CRITICAL PARAMETER.
  - 2002/95/EC (ROHS) COMPLIANT.



B	15866	EDIT ACTUATOR AND HOUSING COLOR	3/15/06	PH
A	15850	RELEASED FOR PRODUCTION	3/10/06	PH
REV	PCR NO	DESCRIPTION	DATE	BY

TITLE R1966CGRYGRYFF				
SCALE 1.5:1	DATE 3/10/2006	DR PH	DWG M309328	REV B

THE INFORMATION CONTAINED IN THIS DOCUMENT IS PROPRIETARY TO E-SWITCH AND IS NOT TO BE COPIED OR TRANSFERRED