

Excellent Integrated System Limited

Stocking Distributor

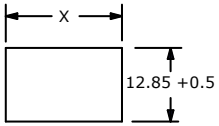
Click to view price, real time Inventory, Delivery & Lifecycle Information:

[E-Switch](#)
[R1966DBLKBLKBS](#)

For any questions, you can email us directly:

sales@integrated-circuit.com

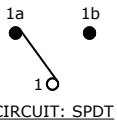
SHEET 1 OF 1



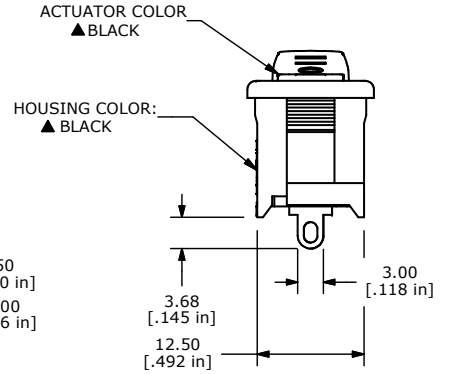
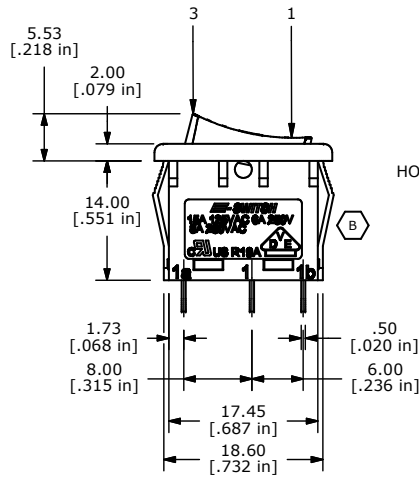
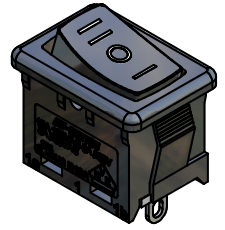
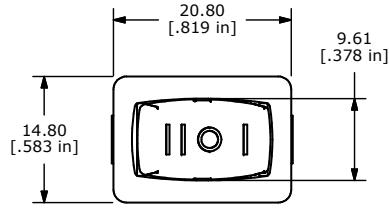
RECOMMENDED PANEL MOUNTING

| PANEL THICKNESS | X |
|-----------------|-------------|
| 0.75-1.25 | 19.20-19.30 |
| 1.25-2.00 | 19.30-19.40 |
| 2.00-3.00 | 19.50-19.60 |

| SWITCH FUNCTION | | |
|-----------------|--------|--------|
| POS. 1 | POS. 2 | POS. 3 |
| ON | OFF | ON |
| 1a-1 | OPEN | 1-1b |



- NOTES:
- ALL DIMENSIONS IN MM [INCH]
 - GENERAL TOLERANCE: X.X=±0.4
X.XX=±0.25
 - TERM. NOS. FOR REF. ONLY
 - RATING: 15A @125VAC;
8A @250VAC.
 - LAMP VOLTAGE: NO LAMP
 - MATERIAL:
CONTACT SURFACE: SILVER ALLOY.
TERMINAL: COPPER ALLOY W/SILVER PLATE
 - ELECTRICAL LIFE: 10,000 CYCLES
 - CONTACT RESISTANCE: <20 MILLI-OHMS INITIAL
 - DIELECTRIC STRENGTH: >1,500V AC 1 MIN
 - 2002/95/EC (ROHS) COMPLIANT.
 - ▲ DENOTES CRITICAL PARAMETER.



| B | 19359 | UPDATE HOUSING | 11/02/10 | BMA |
|-----|--------|-------------------------|----------|-----|
| A | 15925 | RELEASED FOR PRODUCTION | 4/6/06 | BK |
| REV | PCR NO | DESCRIPTION | DATE | BY |

THE INFORMATION CONTAINED IN THIS DOCUMENT IS PROPRIETARY TO E-SWITCH AND IS NOT TO BE COPIED OR TRANSFERRED

| | | | |
|----------------------|----------|----|---------|
| | | | |
| TITLE R1966DBLKBLKBS | | | |
| SCALE | DATE | DR | DWG |
| 1.5:1 | 4/6/2006 | BK | M309329 |
| | | | REV |
| | | | B |