

Excellent Integrated System Limited

Stocking Distributor

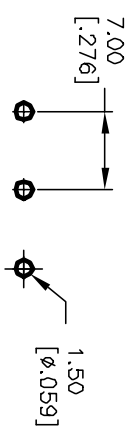
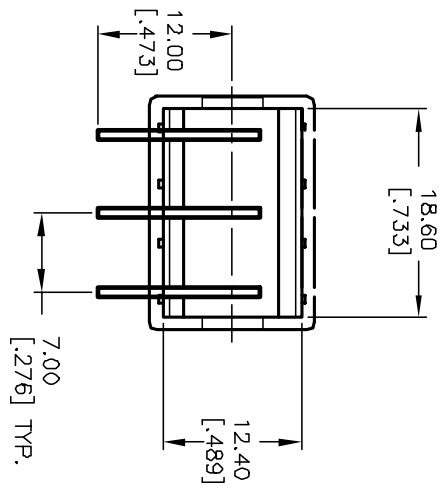
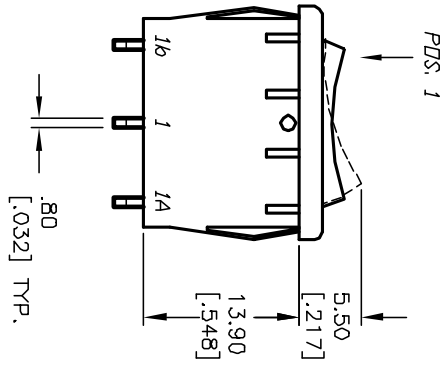
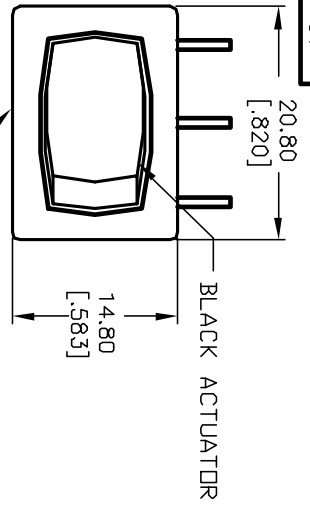
Click to view price, real time Inventory, Delivery & Lifecycle Information:

[E-Switch](#)
[R1966DBLKBLKER](#)

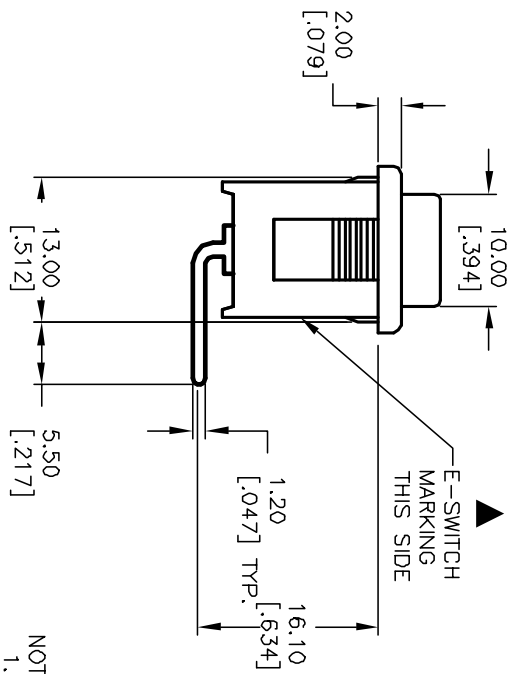
For any questions, you can email us directly:

sales@integrated-circuit.com

SHEET OF

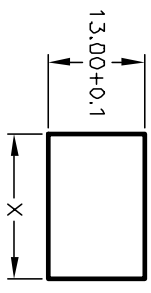


RECOMMENDED P.C.B. LAYOUT



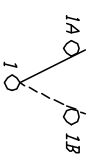
E-SWITCH MARKING THIS SIDE

PANEL THICKNESS	X dimension
0.75-1.25 [0.30-0.49]	19.2-21 [0.756]
1.25-2.0 [0.49-0.79]	19.4-21 [0.764]
2.0-3.0 [0.79-1.18]	19.8-21 [0.780]



PANEL CUTOUT NOT TO SCALE

SWITCH FUNCTION		
POS. 1	POS. 2	POS. 3
DN	OFF	DN
1-1a	OPEN	1-1b



CIRCUIT: SPDT

NOTES:

1. ALL DIMENSIONS IN MM [INCH]
2. GENERAL TOLERANCE: X.X=±0.4 X.XX=±0.25
3. TERMINAL NOS. FDR REF ONLY.
4. RATING: 15A @ 125VAC OR 6A @ 250VAC
5. MATERIALS: TERMINALS: Silver Plated Copper Alloy CONTACTS: Coin Silver, Silver Plated
6. ELECTRIC LIFE: 10,000 cycles
7. CONTACT RESISTANCE: 10 MILLI-OHMS max. Typical Initial @ 2-4VDC
8. INSULATION RESISTANCE: >1000 Mega-OHMS
9. DIELECTRIC STRENGTH: >1500 V 1 minute >3000 V between poles

E-SWITCH®

REV.	ECN No.	DESCRIPTION	DATE	CHKD
A	12192	RELEASED FOR PRODUCTION	5/29/02	CB

TITLE	SCALE	DATE	DR	DWG	REV
R1966D BLK BLK ER	1.5:1	5/29/02	CB	M309307	A

THE INFORMATION CONTAINED IN THIS DOCUMENT IS PROPRIETARY TO E-SWITCH AND IS NOT TO BE COPIED OR TRANSMITTED