

Excellent Integrated System Limited

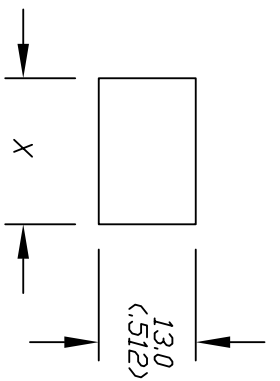
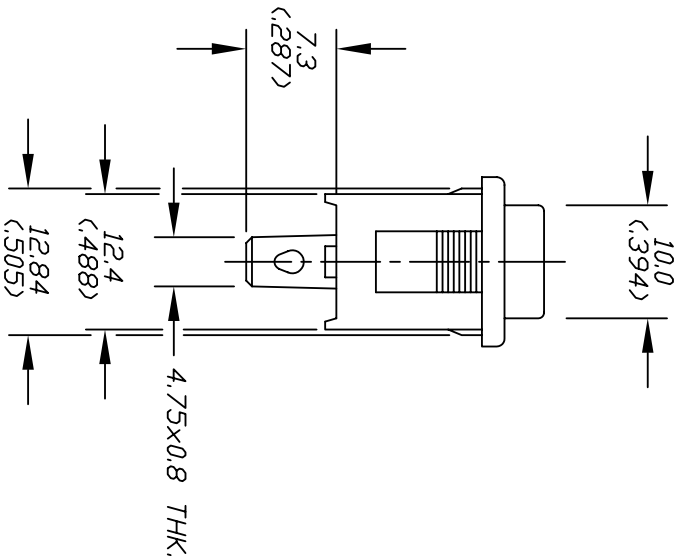
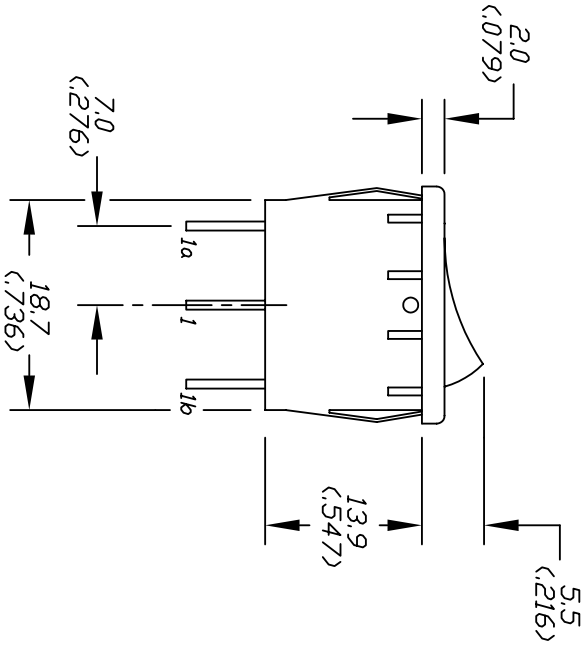
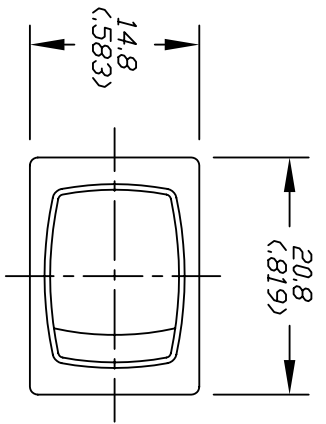
Stocking Distributor

Click to view price, real time Inventory, Delivery & Lifecycle Information:

[E-Switch](#)
[R1966GBLKBLKEF](#)

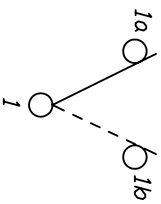
For any questions, you can email us directly:

sales@integrated-circuit.com

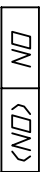


RECOMMEND PANEL MOUNTING

PANEL THICKNESS	X
0.75-1.25 (030-.049)	19.2 (756)
1.25-2.0 (049-.079)	19.4 (764)
2.0-3.0 (079-.118)	19.8 (780)



CIRCUIT: SPDT
 CONTACT CONFIGURATION



< >=Momentary

NOTES:

1. ALL DIMENSIONS IN MM (INCHES)
2. TERM. NOS. FOR REF ONLY
3. RATING: 15A 125V, 6A 250VAC.

REV.	DESCRIPTION	DATE	CHKD
A	RELEASED FOR PRODUCTION		

TOLERANCES	
0.0	±0.4
0.00	±0.25

SCALE	DATE	DR	DWG	REV
1.5:1	10/22/97	MM	M304200	A

E-SWITCH®

R1966GKKEF

THE INFORMATION CONTAINED IN THIS DOCUMENT IS PROPRIETARY TO E-SWITCH AND IS NOT TO BE COPIED OR TRANSFERRED