

Excellent Integrated System Limited

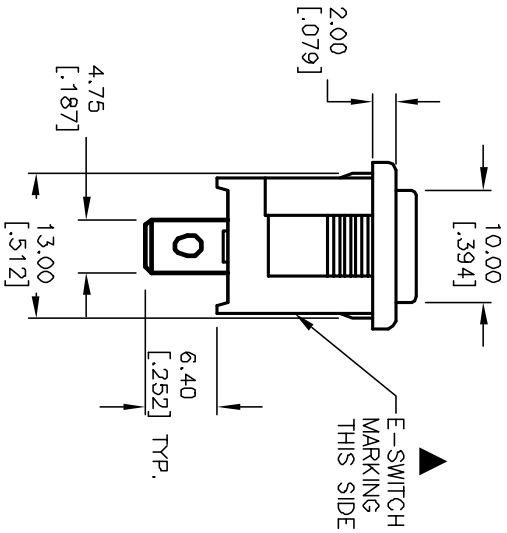
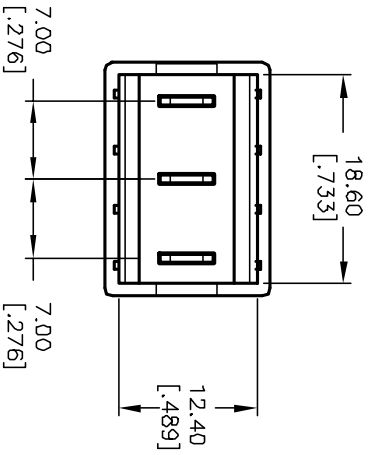
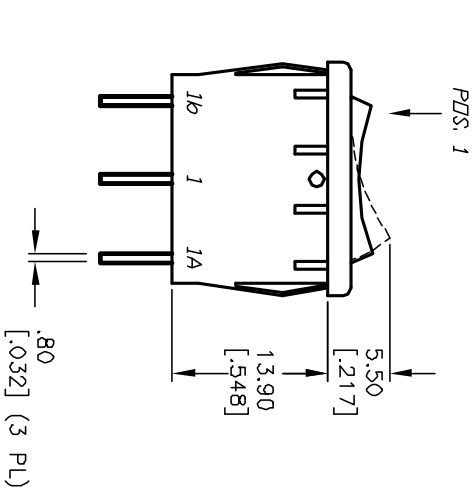
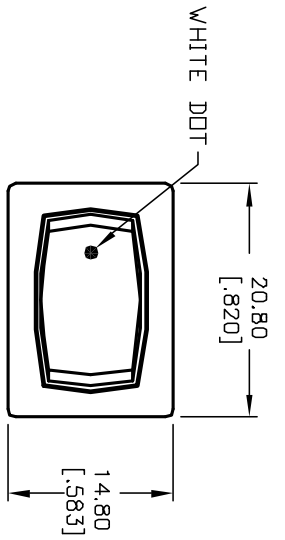
Stocking Distributor

Click to view price, real time Inventory, Delivery & Lifecycle Information:

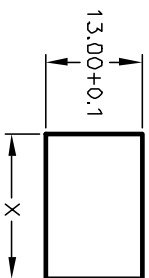
[E-Switch](#)
[R1966IBLKBLKAF](#)

For any questions, you can email us directly:

sales@integrated-circuit.com



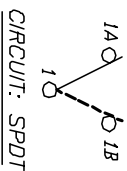
PANEL THICKNESS	X dimension
0.75-1.25 [0.30-0.49]	19.2-0.1 [0.756]
1.25-2.0 [0.49-0.79]	19.4-0.1 [0.764]
2.0-3.0 [0.79-1.18]	19.8-0.1 [0.780]



PANEL CUTOUT
 NOT TO SCALE

SWITCH FUNCTION		
POS. 1	POS. 2	POS. 3
<DN>	OFF	<DN>
1-1a	OPEN	1-1b

< > = MOMENTARY



NOTES:

1. ALL DIMENSIONS IN MM [INCH]
2. GENERAL TOLERANCE: X.X=±0.4
X.XX=±0.25
3. TERMINAL NUMBERS FOR REF ONLY
4. RATING: 15A @ 125VAC OR
6A @ 250VAC
5. MATERIALS: TERMINALS: Silver Plated, Copper Alloy
CONTACTS: Coin Silver, Silver Plated
6. ELECTRIC LIFE: 10,000 cycles
7. MECHANICAL LIFE: 15,000 cycles
8. CONTACT RESISTANCE: <10 Mega-OHM
9. INSULATION RESISTANCE: >1000 Mega-OHM
10. DIELECTRIC STRENGTH: >1500 V 1 minute
>3000 V between poles
11. OPERATING TEMP: -30°C to +85°C

E-SWITCH®

R19661 BLK BLK AF

REV.	ECN No.	DESCRIPTION	DATE	CHKD
B	12670	REVISED MARKING COLOR	12/26/02	CJB
A	12229	RELEASED FOR PRODUCTION	6/12/02	CJB

TITLE	SCALE	DATE	DR	DWG	REV
R19661 BLK BLK AF	1.5:1	6/12/02	CB	M306212	B

THE INFORMATION CONTAINED IN THIS DOCUMENT IS PROPRIETARY TO E-SWITCH AND IS NOT TO BE COPIED OR TRANSMITTED