

Excellent Integrated System Limited

Stocking Distributor

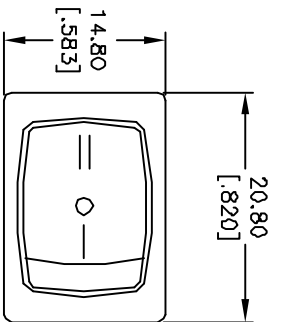
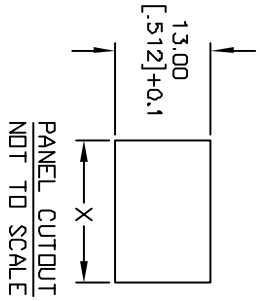
Click to view price, real time Inventory, Delivery & Lifecycle Information:

[E-Switch](#)
[R1966IBLKBLKCF](#)

For any questions, you can email us directly:

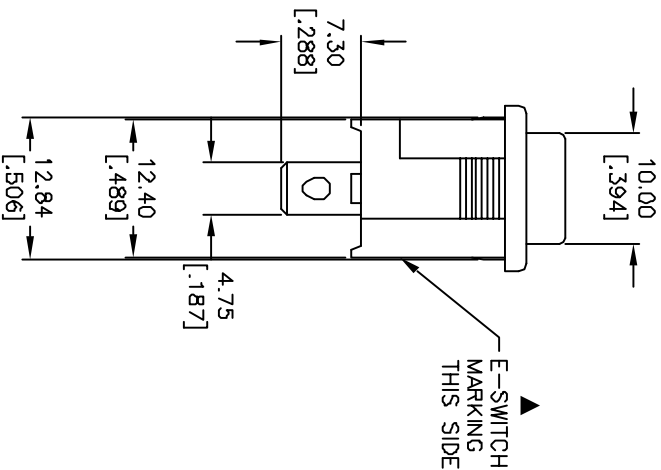
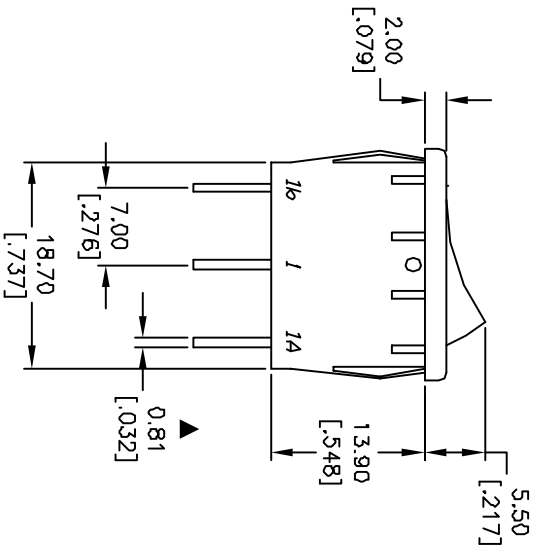
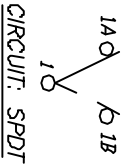
sales@integrated-circuit.com

PANEL THICKNESS	X dimension
0.75-1.25 [0.30-0.49]	19.2-61 [7.56]
1.25-2.0 [0.49-0.79]	19.4-61 [7.64]
2.0-3.0 [0.79-1.18]	19.8-61 [7.80]



SWITCH FUNCTION		
POS. 1	POS. 2	POS. 3
<ON>	OFF	<ON>
1-1a	OPEN	1-1b

< > = MOMENTARY



- NOTES:
1. ALL DIMENSIONS IN MM [INCH]
 2. GENERAL TOLERANCE: X.X=±0.4 X.XX=±0.25
 3. TERMINAL NUMBERS FOR REF ONLY
 4. RATING: 15A @ 125VAC OR 6A @ 250VAC
 5. MATERIALS: TERMINALS: SILVER PLATED COPPER ALLOY CONTACTS: COIN SILVER, SILVER PLATED
 6. ELECTRIC LIFE: 10,000 CYCLES
 7. CONTACT RESISTANCE: <20 MEGA-OHM
 8. INSULATION RESISTANCE: >1000 MEGA-OHM
 9. DIELECTRIC STRENGTH: >1500 V 1 MINUTE >3000 V BETWEEN POLES
 10. ▲ DENOTES CRITICAL PARAMETER.

REV.	ECN NO.	DESCRIPTION	DATE	CHKD
A	13241	RELEASED FOR PRODUCTION	6/26/03	AR

TITLE	SCALE	DATE	DR	DWG	REV
R1966IBLKBLKCF	1.5:1	6/26/03	AR	M306215	A

E-SWITCH®

THE INFORMATION CONTAINED IN THIS DOCUMENT IS PROPRIETARY TO E-SWITCH AND IS NOT TO BE COPIED OR TRANSFERRED