

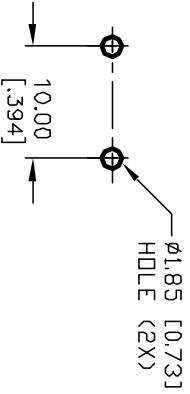
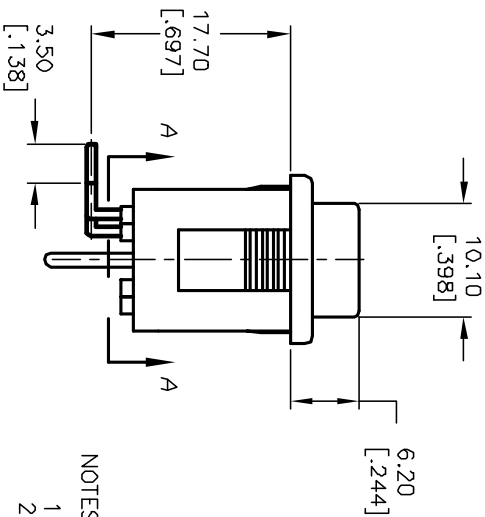
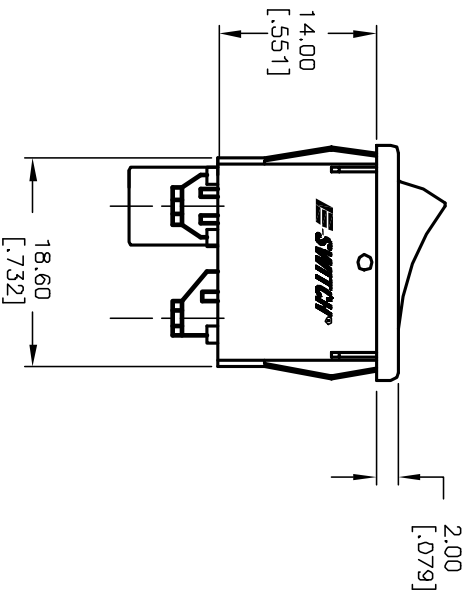
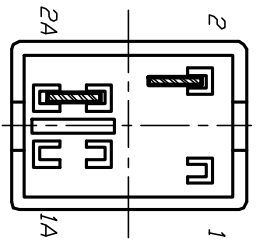
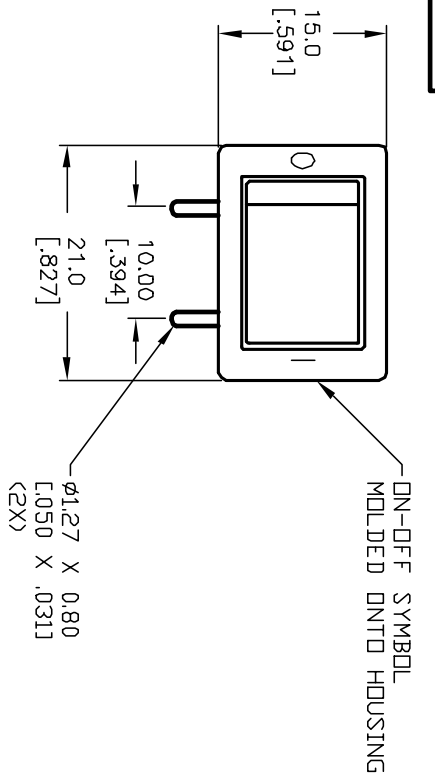
Excellent Integrated System Limited

Stocking Distributor

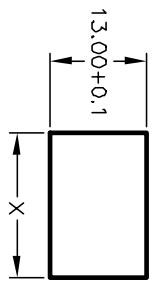
Click to view price, real time Inventory, Delivery & Lifecycle Information:

[E-Switch](#)
[R1973ABLKBLKER0](#)

For any questions, you can email us directly:
sales@integrated-circuit.com



PANEL THICKNESS	X dimension
0.75-1.25 [.030-.049]	19.2-.01 [.756]
1.25-2.0 [.049-.079]	19.4-.01 [.764]
2.0-3.0 [.079-.118]	19.8-.01 [.780]



PANEL CUTOUT
NOT TO SCALE



CIRCUIT: SPST

NOTES:

1. ALL DIMENSIONS IN MM [INCH]
2. GENERAL TOLERANCE: X.X=±0.4
X.XX=±0.25
3. RATING:
6A @250VAC;9A @125VAC (UL, CSA, VDE)
4(1)A @250VAC
4. MATERIAL:
CONTACT SURFACE: Coin Silver, Silver Plate
TERMINAL: Copper Alloy W/ Silver Plate.
5. CONTACT RESISTANCE: 20MILLIOHMS TYP. INITIAL
6. INSULATION RESISTANCE: 1000Megohms
7. DIELECTRIC STRENGTH:
>1500V RMS min. @SEA LEVEL
>3000V RMS @SEA LEVEL
8. MECHANICAL LIFE: 50,000 CYCLES.
9. ELECTRICAL LIFE: 10,000 CYCLES.

RECOMMENDED P.C.B. HOLES

E-SWITCH®

REV.	ECN No.	DESCRIPTION	DATE	CHKD	CJB
B	11330	REVISED AND REDRAWN	10/3/01		

TITLE	SCALE	DATE	DR	DWG	REV
R1973A BLK BLK ERD	1.5:1	10/20/01	MM	M400100	B

THE INFORMATION CONTAINED IN THIS DOCUMENT IS PROPRIETARY TO E-SWITCH AND IS NOT TO BE COPIED OR TRANSMITTED