

Excellent Integrated System Limited

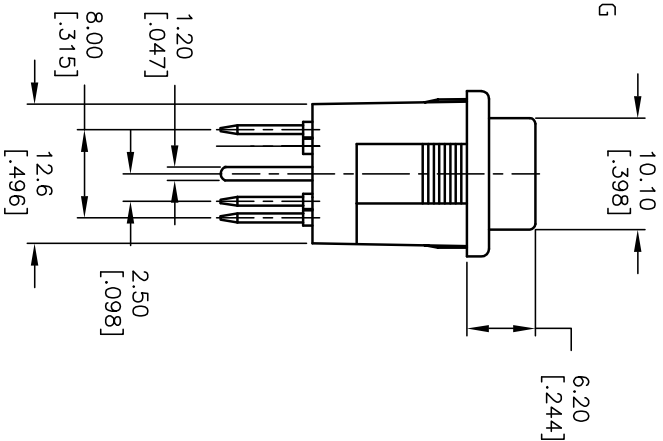
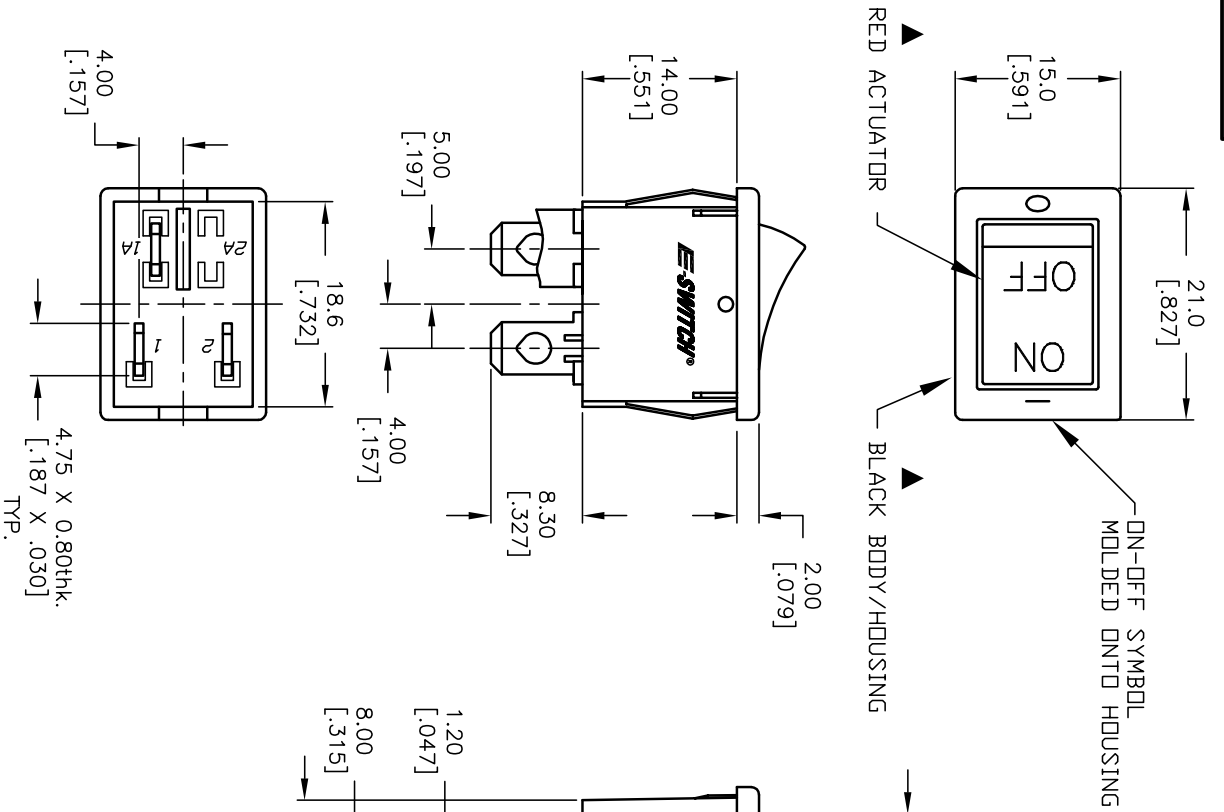
Stocking Distributor

Click to view price, real time Inventory, Delivery & Lifecycle Information:

[E-Switch](#)
[R1973ABLKRLIF1](#)

For any questions, you can email us directly:

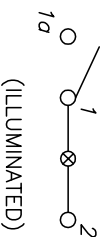
sales@integrated-circuit.com



NEON BULB

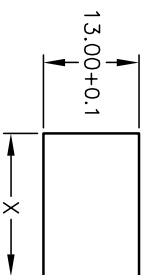
PARAMETERS	SYMBOL	MAX.	UNITS
LAMP VOLTAGE (AC)	V	125	V
STARTUP VOLTAGE	V _s	85	V
CURRENT	I	0.8	mA
SERIES RESISTANCE (125V)	R	68	DHMS

PANEL THICKNESS	X dimension
0.75-1.25 [0.030-0.0491]	19.2-0.1 [0.7561]
1.25-2.0 [0.049-0.0791]	19.4-0.1 [0.7641]
2.0-3.0 [0.079-0.118]	19.8-0.1 [0.7801]



CIRCUIT: SPST

PANEL CUTOUT
 NDT TO SCALE



NOTES:

- ALL DIMENSIONS IN MM [INCH]
- GENERAL TOLERANCE: X.X=±0.4
X.XX=±0.25
- RATING:
6A @250VAC;9A @125VAC (UL, CSA, VDE)
4(1)A @250VAC
- LAMP VOLTAGE: 125V (NEON BULB)
- MATERIAL:
CONTACT SURFACE: Coin Silver, Silver Plate
TERMINAL: Copper Alloy W/ Silver Plate.
6. CONTACT RESISTANCE: 20mΩ/100HMS TYP. INITIAL
7. INSULATION RESISTANCE: 1000MΩ@0HMS
8. DIELECTRIC STRENGTH:
>1500V RMS min. @SEA LEVEL
>3000V RMS @SEA LEVEL
9. MECHANICAL LIFE: 50,000 CYCLES.
10. ELECTRICAL LIFE: 10,000 CYCLES.
11. ▲ DENOTES CRITICAL PARAMETER.

E-SWITCH®

R1973ABLKRLIF1

REV.	ECN No.	DESCRIPTION	DATE	CHKD
A	13361	RELEASED FOR PRODUCTION	8/11/03	AR

TITLE	SCALE	DATE	DR	DWG	REV
R1973ABLKRLIF1	1.5:1	8/11/03	AR	M400076	A

THE INFORMATION CONTAINED IN THIS DOCUMENT IS PROPRIETARY TO E-SWITCH AND IS NOT TO BE COPIED OR TRANSFERRED