

Excellent Integrated System Limited

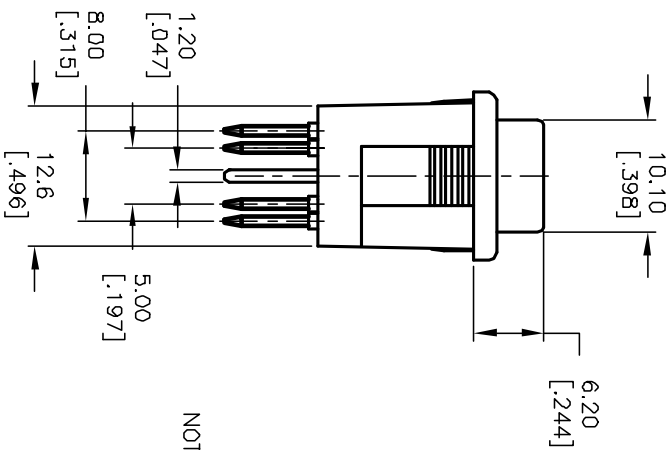
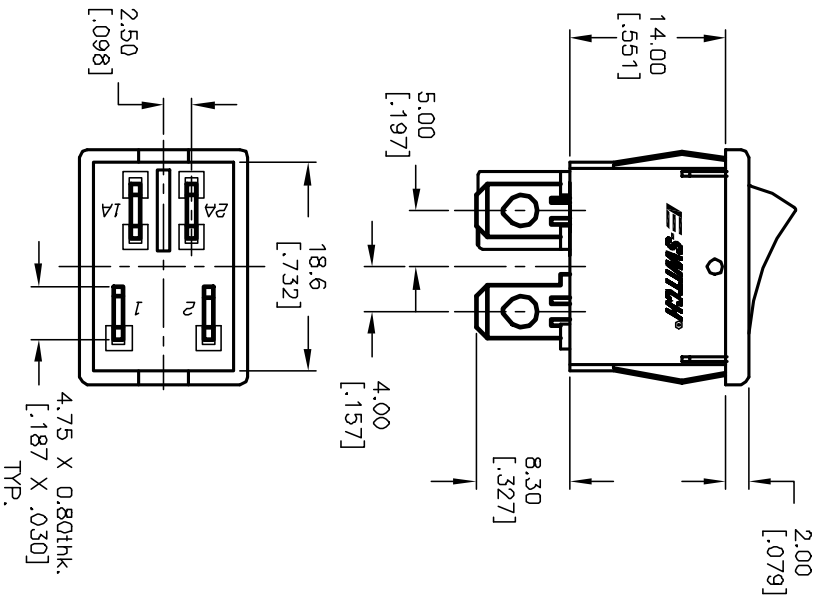
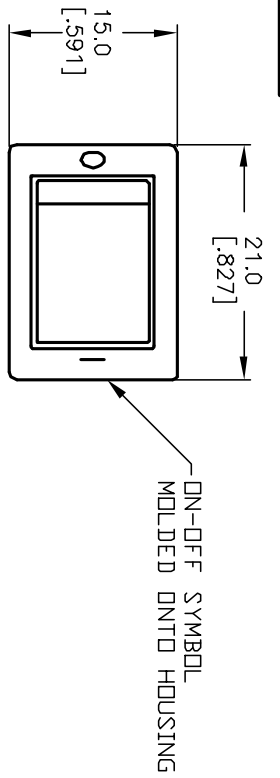
Stocking Distributor

Click to view price, real time Inventory, Delivery & Lifecycle Information:

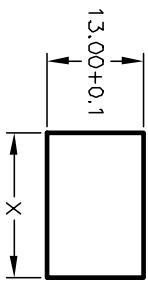
[E-Switch](#)
[R1973BBLKBLKEF0](#)

For any questions, you can email us directly:

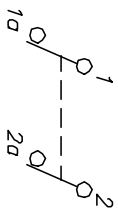
sales@integrated-circuit.com



PANEL THICKNESS	X dimension
0.75-1.25 [0.30-0.49]	19.2-0.1 [0.756]
1.25-2.0 [0.49-0.79]	19.4-0.1 [0.764]
2.0-3.0 [0.79-1.18]	19.8-0.1 [0.780]



PANEL CUTOUT
NOT TO SCALE



CIRCUIT: DPST

NOTES:

1. ALL DIMENSIONS IN MM [INCH]
2. GENERAL TOLERANCE: X.X=±0.4
X.XX=±0.25
3. RATING:
6A @250VAC;9A @125VAC (UL, CSA, VDE)
4. MATERIAL:
4(1)A @250VAC
CONTACT SURFACE: Coin Silver, Silver Plate
TERMINAL: Copper Alloy w/ Silver Plate.
CONTACT RESISTANCE: 20MILLIOHMS TYP. INITIAL
6. INSULATION RESISTANCE: 1000MEGohms
7. DIELECTRIC STRENGTH:
>1500V RMS min. @SEA LEVEL
>3000V RMS @SEA LEVEL
8. MECHANICAL LIFE: 50,000 CYCLES.
9. ELECTRICAL LIFE: 10,000 CYCLES.

E-SWITCH®

R1973B BLK BLK EF0

REV.	ECN No.	REVISION & REDRAWN	DATE	CHKD
B	11330		10/01/01	CJB
		DESCRIPTION		

TITLE	SCALE	DATE	DR	DWG	REV
	1.5:1	10/01/01	CB	M400009	B

THE INFORMATION CONTAINED IN THIS DOCUMENT IS PROPRIETARY TO E-SWITCH AND IS NOT TO BE COPIED OR TRANSMITTED