

Excellent Integrated System Limited

Stocking Distributor

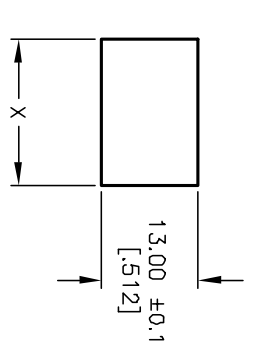
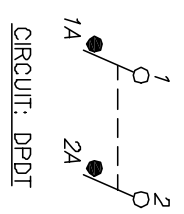
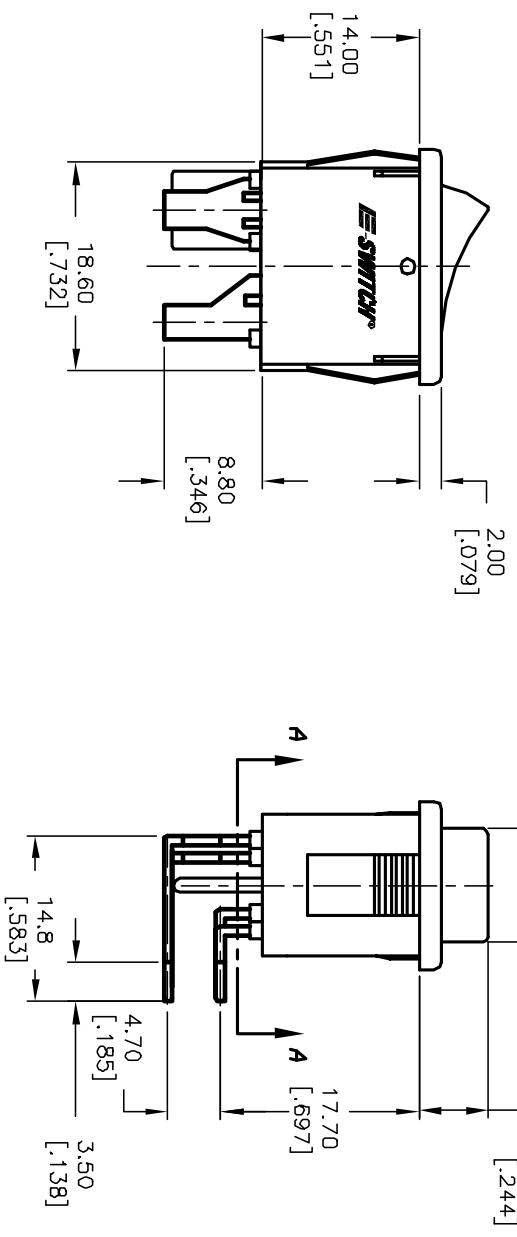
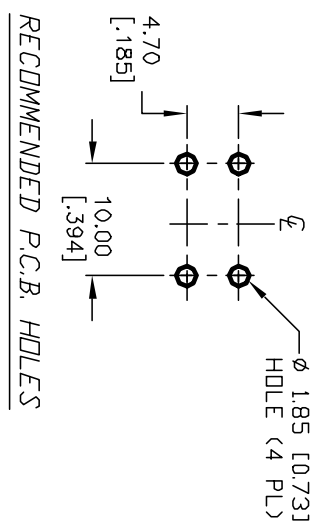
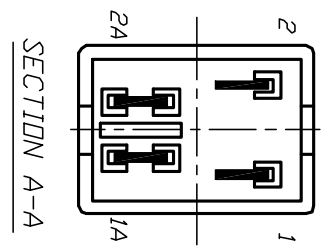
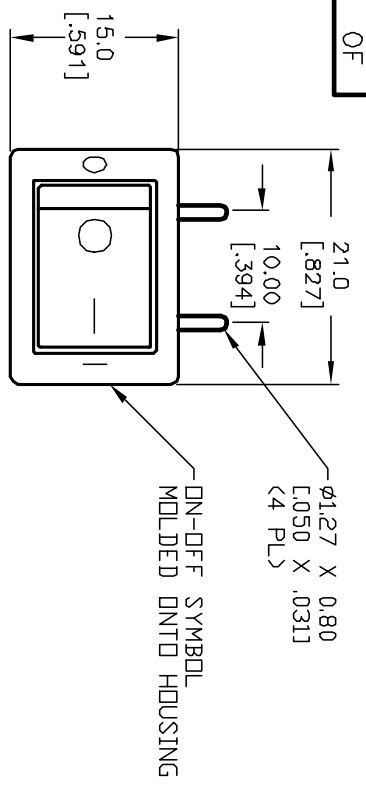
Click to view price, real time Inventory, Delivery & Lifecycle Information:

[E-Switch](#)
[R1973BBLKBLKFL0](#)

For any questions, you can email us directly:

sales@integrated-circuit.com

SHEET OF



RECOMMENDED PANEL MOUNTING

- NOTES:
1. ALL DIMENSIONS IN MM [INCH]
 2. GENERAL TOLERANCE: X.X=±0.4 X.XX=±0.25
 3. RATING: 6A @250VAC:9A @125VAC (UL, CSA)
4(1)A @250VAC (VDE, SEMEKO, NEMKO, FIMKO, DEMKO)
 4. CONTACT RESISTANCE: 20MILLIOHMS TYP. INITIAL
 5. INSULATION RESISTANCE: 1000MEGΩHMS
 6. DIELECTRICAL STRENGTHS 1500V RMS min. @SEA LEVEL
3000V RMS @SEA LEVEL
 7. MECHANICAL LIFE: 50,000 CYCLES.
 8. ELECTRICAL LIFE: 10,000 CYCLES.

PANEL THICKNESS	X
0.75-1.25 [0.030-0.049]	19.2 [0.756]
1.25-2.0 [0.049-0.079]	19.4 [0.764]
2.0-3.0 [0.079-0.118]	19.8 [0.780]

REV.	ECN No.	DESCRIPTION	DATE	CHKD
B	11634	DESCRIPTION WAS R1973BKKFRD	8/30/01	CJB
		DESCRIPTION		CHKD

TITLE	SCALE	DATE	DR	DWG	REV
R1973B BLK BLK FLD (Left Angle)	1.5:1	5/20/97	MM	M400016	B

E-SWITCH®

THE INFORMATION CONTAINED IN THIS DOCUMENT IS PROPRIETARY TO E-SWITCH AND IS NOT TO BE COPIED OR TRANSMITTED