

Excellent Integrated System Limited

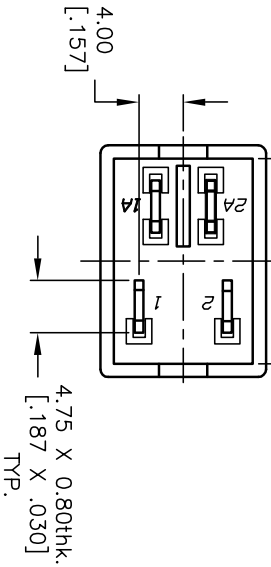
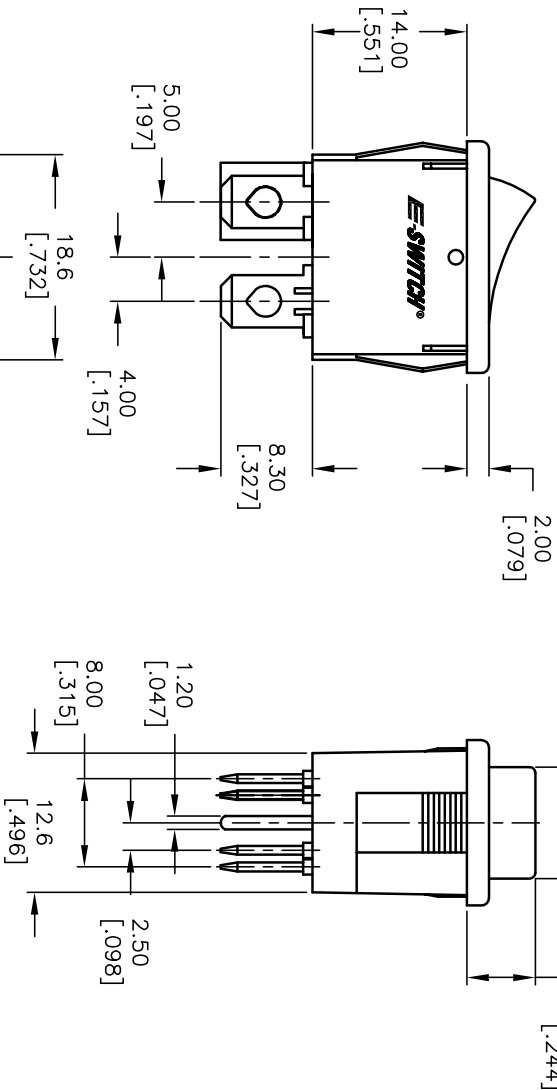
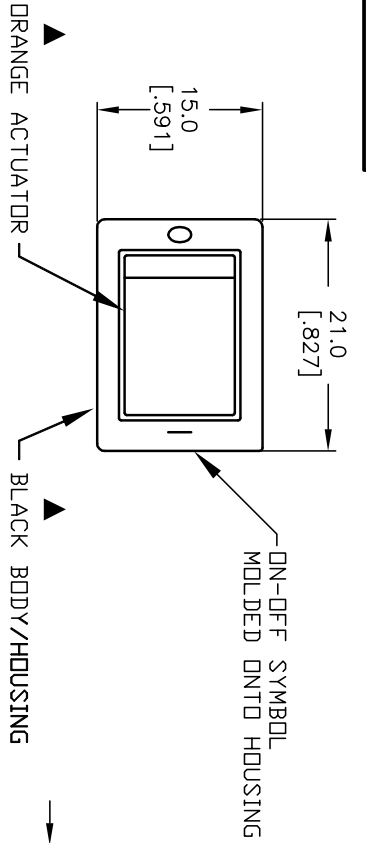
Stocking Distributor

Click to view price, real time Inventory, Delivery & Lifecycle Information:

[E-Switch](#)
[R1973BBLKORGEF1](#)

For any questions, you can email us directly:

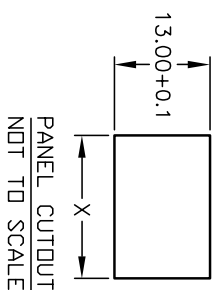
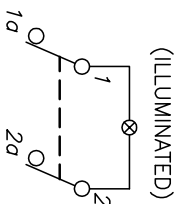
sales@integrated-circuit.com



NEON BULB

PARAMETERS	SYMBOL	MAX.	UNITS
LAMP VOLTAGE (AC)	V	125	V
STARTUP VOLTAGE	V _s	85	V
CURRENT	I	0.8	mA
SERIES RESISTANCE (125V)	R	68	DHMS

PANEL THICKNESS	X dimension
0.75-1.25 [0.30-0.491]	19.2-0.1 [0.7561]
1.25-2.0 [0.49-0.791]	19.4-0.1 [0.7641]
2.0-3.0 [0.79-1.181]	19.8-0.1 [0.7801]



NOTES:

1. ALL DIMENSIONS IN MM [INCH]
2. GENERAL TOLERANCE: X.X=±0.4
X.XX=±0.25
3. RATING:
6A @250VAC;9A @125VAC (UL, CSA, VDE)
4(1)A @250VAC
4. LAMP VOLTAGE: 125V (NEON BULB)
5. MATERIAL:
CONTACT SURFACE: Coin Silver, Silver Plate
TERMINAL: Copper Alloy W/ Silver Plate.
6. CONTACT RESISTANCE: 20mΩ@10HMS TYP. INITIAL
7. INSULATION RESISTANCE: 1000MΩ@0.4HMS
8. DIELECTRIC STRENGTH:
>1500V RMS min. @SEA LEVEL
>3000V RMS @SEA LEVEL
9. MECHANICAL LIFE: 50,000 CYCLES.
10. ELECTRICAL LIFE: 10,000 CYCLES.
11. ▲ DENOTES CRITICAL PARAMETER.

E-SWITCH®

R1973BBLKORGEF1

REV.	ECN No.	DESCRIPTION	DATE	CHKD
A	13350	RELEASED FOR PRODUCTION	8/7/03	AR

TITLE	SCALE	DATE	DR	DWG	REV
R1973BBLKORGEF1	1.5:1	8/7/03	AR	M400075	A

THE INFORMATION CONTAINED IN THIS DOCUMENT IS PROPRIETARY TO E-SWITCH AND IS NOT TO BE COPIED OR TRANSFERRED