

Excellent Integrated System Limited

Stocking Distributor

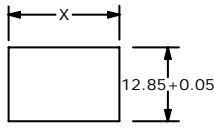
Click to view price, real time Inventory, Delivery & Lifecycle Information:

[E-Switch](#)
[R1973BBLKREDAR0](#)

For any questions, you can email us directly:

sales@integrated-circuit.com

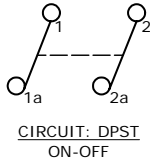
SHEET 1 OF 1



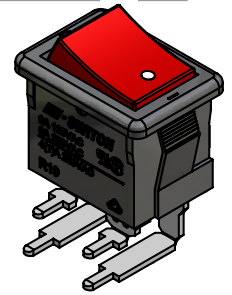
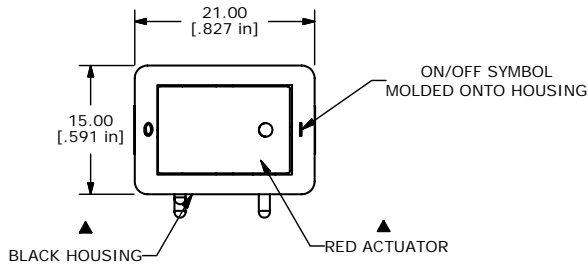
RECOMMENDED PANEL MOUNTING

PANEL THICKNESS	X
0.75-1.25	19.2-19.3
1.25-2.00	19.3-19.4
2.00-3.00	19.5-19.6

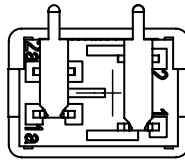
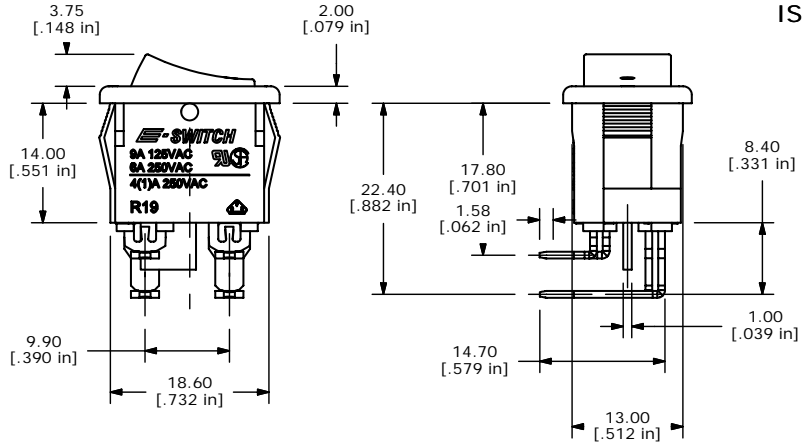
SWITCH FUNCTION		
POS. 1	POS. 2	POS. 3
ON	NONE	OFF
1-1a, 2-2a	N/A	OPEN



- NOTES:
- ALL DIMENSIONS IN MM [INCH]
 - GENERAL TOLERANCE: X.X=±0.4
X.XX=±0.25
 - RATING:
6A @250VAC; 9A @125VAC (UL, CSA, VDE)
 - LAMP VOLTAGE: NONE
 - MATERIAL:
CONTACT SURFACE: COIN SILVER, SILVER PLATE
TERMINAL: COPPER ALLOY W/SILVER PLATE.
 - CONTACT RESISTANCE: 20 MILLI-OHMS TYP. INITIAL
 - INSULATION RESISTANCE: 1000 MEGA-OHMS
 - DIELECTRIC STRENGTH:
> 1500V RMS min. @SEA LEVEL
 - MECHANICAL LIFE: 30,000 CYCLES.
 - ELECTRICAL LIFE: 10,000 CYCLES
 - ▲ DENOTES CRITICAL PARAMETER.
 - 2002/95/EC (ROHS) COMPLIANT



ISOMETRIC



TITLE R1973BBLKREDAR0

A	15861	RELEASE FOR PRODUCTION	3/16/06	PH
REV	PCR NO	DESCRIPTION	DATE	BY

THE INFORMATION CONTAINED IN THIS DOCUMENT IS PROPRIETARY TO E-SWITCH AND IS NOT TO BE COPIED OR TRANSFERRED

SCALE	1.5:1	DATE	3/16/2006	DR	PH	DWG	M400090	REV	A
-------	-------	------	-----------	----	----	-----	---------	-----	---