

## Excellent Integrated System Limited

Stocking Distributor

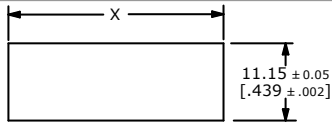
Click to view price, real time Inventory, Delivery & Lifecycle Information:

[E-Switch](#)  
[R4ABLKBLKEF0](#)

For any questions, you can email us directly:

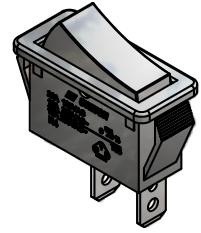
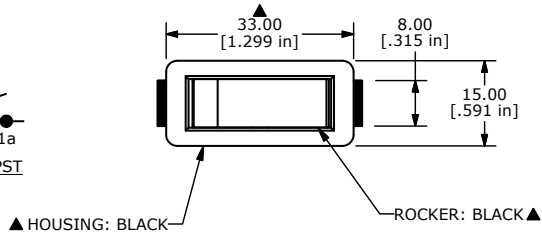
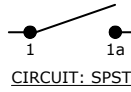
[sales@integrated-circuit.com](mailto:sales@integrated-circuit.com)

SHEET 1 OF 1



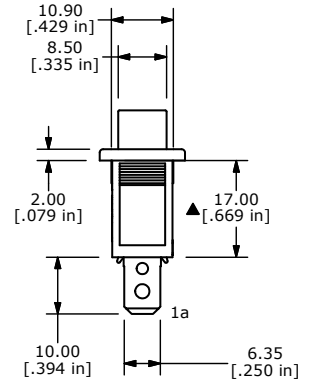
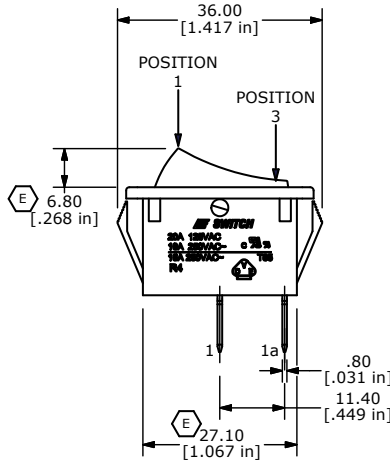
RECOMMENDED PANEL MOUNTING

PANEL THICKNESS	X± 0.05
0.75-1.25	29.65
1.25-2.00	30.15
2.00-3.00	30.50



SWITCH FUNCTION	
POS. 1	POS. 3
ON	OFF
1-1a	OPEN

- NOTES:
- ALL DIMENSIONS IN MM [INCH]
  - GENERAL TOLERANCE: X.X=± 0.4  
X.XX=± 0.25
  - TERM. NOS. FOR REF. ONLY
  - RATING: 20A 125VAC, 16A 250VAC UL APPROVED  
16A 250VAC VDE APPROVED
  - ELECTRICAL LIFE: OVER 10,000 CYCLES
  - MECHANICAL LIFE: OVER 30,000 CYCLES
  - CONTACT RESISTANCE: <20 mΩ (INITIAL)
  - DIELECTRIC STRENGTH: >1500V 1 min
  - INSULATION RESISTANCE: >1,000 mΩ @ 500V DC
  - OPERATING TEMPERATURE: TERMINAL SIDE -20°C to 85°C  
ROCKER SIDE -20°C to 55°C
  - ▲ DENOTES CRITICAL PARAMETER
  - 2002/95/EC (ROHS) COMPLIANT



TITLE R4ABLKBLKEF0				
SCALE 1:1	DATE 3/20/2006	DR --	DWG M040141	REV E

THE INFORMATION CONTAINED IN THIS DOCUMENT IS PROPRIETARY TO E-SWITCH AND IS NOT TO BE COPIED OR TRANSFERRED