

Excellent Integrated System Limited

Stocking Distributor

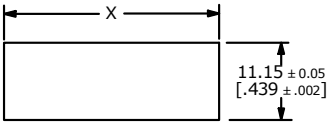
Click to view price, real time Inventory, Delivery & Lifecycle Information:

[E-Switch](#)
[R4BBLKBLKGRNFF3](#)

For any questions, you can email us directly:

sales@integrated-circuit.com

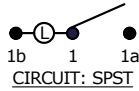
SHEET 1 OF 1



RECOMMENDED PANEL MOUNTING

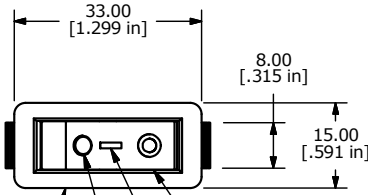
PANEL THICKNESS	X± 0.05
0.75-1.25	29.6-29.7
1.25-2.00	30.1-30.2
2.00-3.00	30.45-30.55

SWITCH FUNCTION	
POS. 1	POS. 3
ON	OFF
1-1a	OPEN

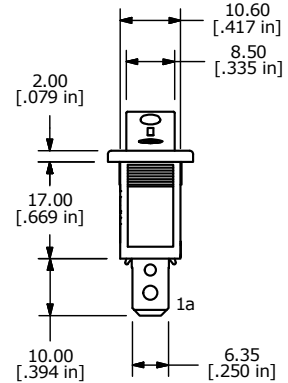
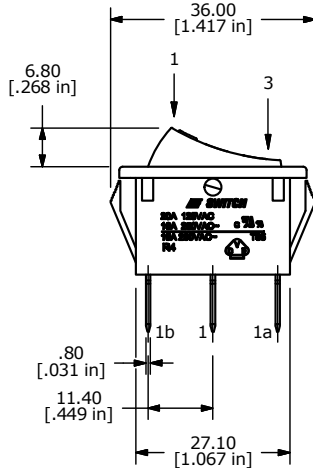
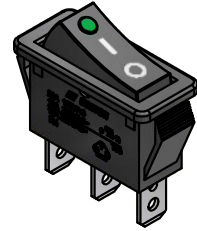


NOTES:

- ALL DIMENSIONS IN MM [INCH]
- GENERAL TOLERANCE: X.X=± 0.4
X.XX=± 0.25
- TERM. NOS. FOR REF. ONLY
- RATING: 20A 125VAC, 16A 250VAC UL APPROVED
16A 250VAC VDE APPROVED
- ELECTRICAL LIFE: OVER 10,000 CYCLES
- MECHANICAL LIFE: OVER 30,000 CYCLES
- CONTACT RESISTANCE: <20 mΩ(INITIAL)
- DIELECTRIC STRENGTH: >1500V 1 min
- INSULATION RESISTANCE: >1,000 mΩ @ 500V DC
- LAMP VOLTAGE: INCANDESCENT 12VDC
- OPERATING TEMPERATURE: TERMINAL SIDE -20°C to 85°C
ROCKER SIDE -20°C to 55°C
- ▲ DENOTES CRITICAL PARAMETER
- 2002/95/EC (ROHS) COMPLIANT



▲ HOUSING COLOR: BLACK
 ▲ ROCKER COLOR: BLACK
 ▲ GRAPHICS COLOR: WHITE
 ▲ LENS COLOR: GREEN



F	22098	CORRECT I/O MARKING	12/18/15	MW
E	19899	UPDATE DRAWING	05/06/11	BMA
D	16185	UPDATE ROCKER	06/23/06	CT
REV	PCR NO	DESCRIPTION	DATE	BY

TITLE R4BBLKBLKGRNFF3				
SCALE	DATE	DR	DWG	REV
1:1	3/10/2006	CT	M040137	F

THE INFORMATION CONTAINED IN THIS DOCUMENT IS PROPRIETARY TO E-SWITCH AND IS NOT TO BE COPIED OR TRANSFERRED