

## Excellent Integrated System Limited

Stocking Distributor

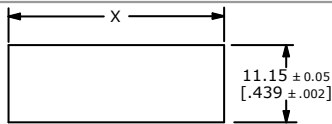
Click to view price, real time Inventory, Delivery & Lifecycle Information:

[E-Switch](#)  
[R4CBLKBLKEF0](#)

For any questions, you can email us directly:

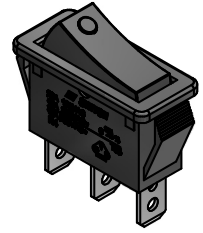
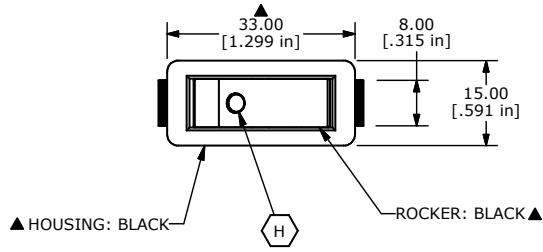
[sales@integrated-circuit.com](mailto:sales@integrated-circuit.com)

SHEET 1 OF 1

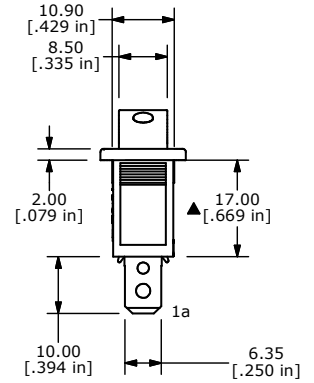
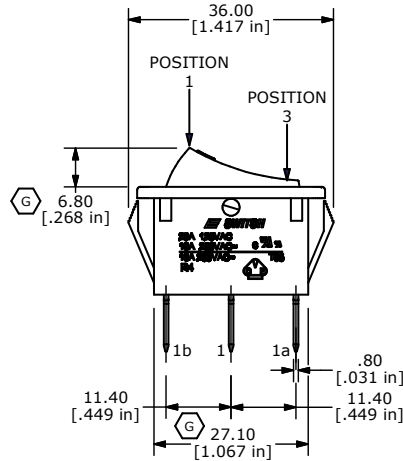
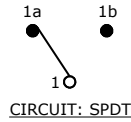


RECOMMENDED PANEL MOUNTING

PANEL THICKNESS	X± 0.05
0.75-1.25	29.65
1.25-2.00	30.15
2.00-3.00	30.50



SWITCH FUNCTION		G
POS. 1	POS. 3	
ON	ON	
1-1a	1-1b	



- NOTES:
- ALL DIMENSIONS IN MM [INCH]
  - GENERAL TOLERANCE: X.X=± 0.4  
X.XX=± 0.25
  - TERM. NOS. FOR REF. ONLY
  - RATING: 20A 125VAC, 16A 250VAC UL APPROVED  
16A 250VAC VDE APPROVED
  - ELECTRICAL LIFE: OVER 10,000 CYCLES
  - MECHANICAL LIFE: OVER 30,000 CYCLES
  - CONTACT RESISTANCE: <20 mΩ(INITIAL)
  - DIELECTRIC STRENGTH: >1500V 1 min
  - INSULATION RESISTANCE: >1,000 mΩ @ 500V DC
  - OPERATING TEMPERATURE: TERMINAL SIDE -20°C to 85°C  
ROCKER SIDE -20°C to 55°C
  - ▲ DENOTES CRITICAL PARAMETER
  - 2002/95/EC (ROHS) COMPLIANT

H	20953	ADD MOLDED "O" TO ACTUATOR	1/7/13	EBP
G	19943	CORRECT DIMS AND FUNCTION TABLE	05/12/11	BMA
F	19822	UPDATE DRAWING	04/06/11	BMA
REV	PCR NO	DESCRIPTION	DATE	BY

THE INFORMATION CONTAINED IN THIS DOCUMENT IS PROPRIETARY TO E-SWITCH AND IS NOT TO BE COPIED OR TRANSFERRED



TITLE R4CBLKBLKEF0

SCALE 1:1	DATE 3/20/2006	DR --	DWG M040106	REV H
-----------	----------------	-------	-------------	-------