

Excellent Integrated System Limited

Stocking Distributor

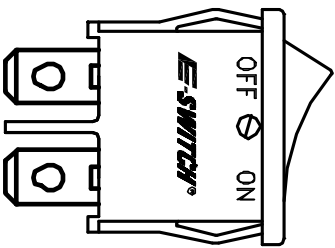
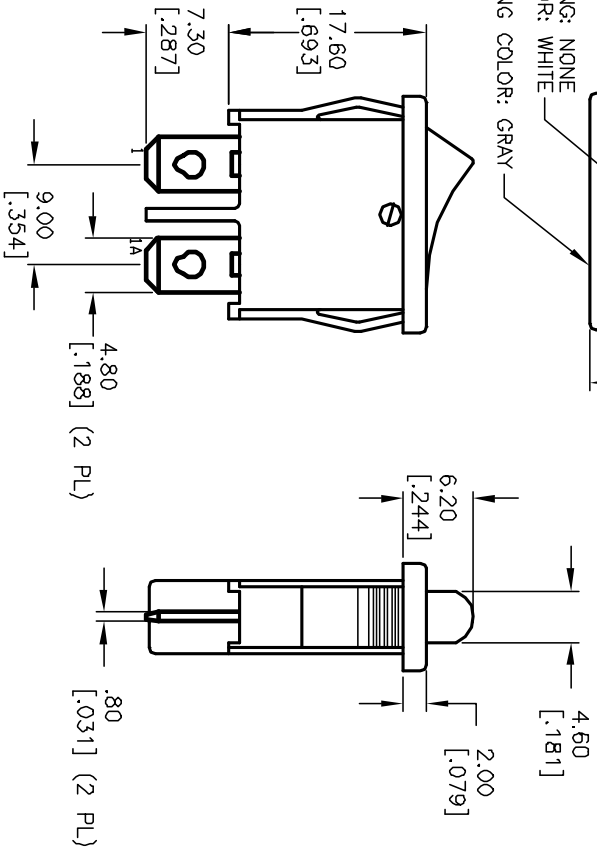
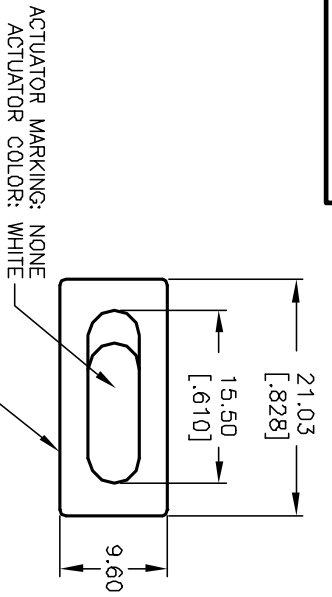
Click to view price, real time Inventory, Delivery & Lifecycle Information:

[E-Switch](#)
[R6AGRYWHTEF](#)

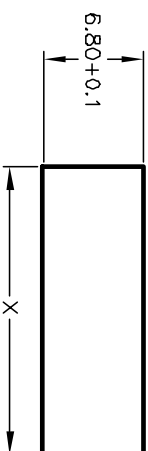
For any questions, you can email us directly:

sales@integrated-circuit.com

SHEET OF



PANEL THICKNESS	X dimension
0.75-1.25 [0.30-.049]	19.2-0.1 [0.756]
1.25-2.0 [0.49-.079]	19.4-0.1 [0.764]
2.0-3.0 [0.79-.118]	19.8-0.1 [0.780]



SWITCH FUNCTION	POS. 1	POS. 2
ON	DN	OFF
1-1a	DPEN	



NOTES:

1. ALL DIMENSIONS IN MM
2. GENERAL TOLERANCE: X.X=±0.4; X.XX=±0.25
3. TERMINAL NUMBERS FOR REF ONLY
4. RATING: 4(1)A @250VAC, 6A @250VAC 10A @125VAC
5. MATERIALS: TERMINALS: COPPER ALLOY W/SILVER PLATING CONTACTS: COIN SILVER
6. MECHANICAL LIFE: >50,000 CYCLES
7. ELECTRICAL LIFE: >10,000 CYCLES
8. CONTACT RESISTANCE: < 20 MEGA-OHMS (INITIAL)
9. INSULATION RESISTANCE: > 1000 MEGA-OHMS @ 500VDC
10. DIELECTRIC STRENGTH: >1500VAC 1 MINUTE (INITIAL) >3000V BETWEEN POLES

E-SWITCH®

R6AGRYWHITEF

REV.	ECN No.	DESCRIPTION	DATE	CHKD
A	13004	RELEASED FOR PRODUCTION	4/7/03	AR

TITLE	SCALE	DATE	DR	DWG	REV
R6AGRYWHITEF	1.5:1	4/7/03	AR	M060308	A

THE INFORMATION CONTAINED IN THIS DOCUMENT IS PROPRIETARY TO E-SWITCH AND IS NOT TO BE COPIED OR TRANSMITTED