

## Excellent Integrated System Limited

Stocking Distributor

Click to view price, real time Inventory, Delivery & Lifecycle Information:

[E-Switch](#)  
[RC1083BBLKBLKAF](#)

For any questions, you can email us directly:

[sales@integrated-circuit.com](mailto:sales@integrated-circuit.com)

# SERIES RC 1083 SWITCHES

## ROCKER SWITCHES



### FEATURES & BENEFITS

- ▶ 15 amp
- ▶ Snap-in panel mount

### APPLICATIONS/MARKETS

- ▶ Audio/Visual
- ▶ Consumer Electronics
- ▶ Test/instrumentation

### SPECIFICATIONS

Contact Rating: 12A @ 125 VAC  
 8A @ 250 VAC (UL, CUL, CSA)  
 6A @ 250 VAC (S, N, Fi, VDE)

Life Expectancy (Mechanical): 15,000 cycles

Life Expectancy (Electrical): 10,000 cycles

Contact Resistance: 10 mΩ max., initial @ 2-4 VDC

Insulation Resistance: > 1,000 MΩ

Dielectric Strengths: > 1,500 volts 1 minute  
 > 3,000 volts between poles

Operating Temperature: -30° C to 85° C

Safety Standard Approval: UL, CUL, VDE

### MATERIALS

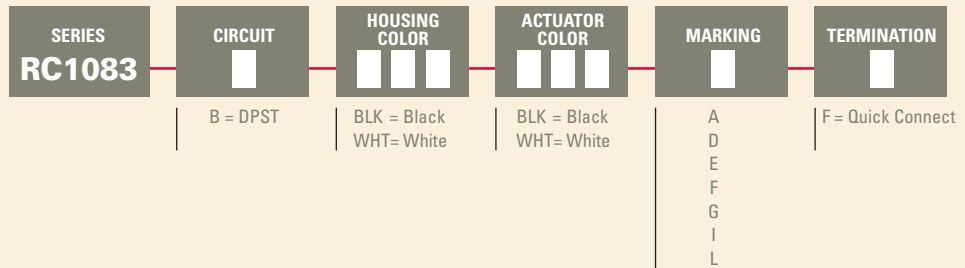
Body: Nylon 6/6

Rocker: Nylon 6/6

Terminal: Silver plated copper alloy



### HOW TO ORDER



Example Ordering Number  
 RC1083-B-BLK-RED-E-F-1

Specifications subject to change without notice.

# SERIES RC 1083 SWITCHES

## ROCKER SWITCHES

TACT SWITCHES

NAVIGATION SWITCHES

PUSHBUTTON SWITCHES

TOGGLE SWITCHES

ROCKER SWITCHES

SLIDE SWITCHES

SNAP-ACTION SWITCHES

DIP SWITCHES

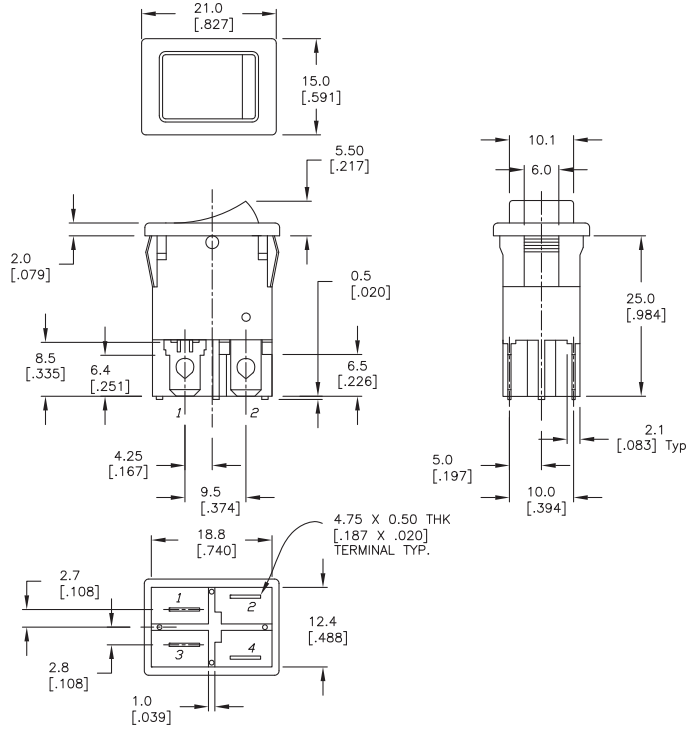
KEYLOCK SWITCHES

ROTARY SWITCHES

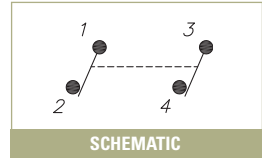
DETECTOR SWITCHES

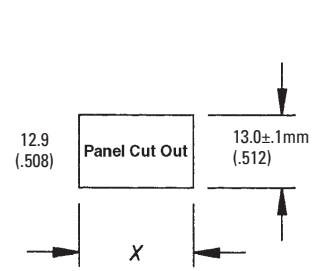
CAP OPTIONS

### DPST



Circuit	POS 1	POS 2
DPST	ON	OFF
Term. Comm.	1-1a 2-2a	OPEN

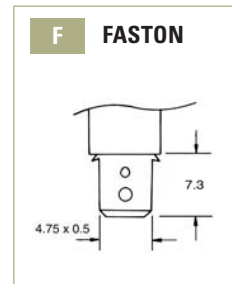




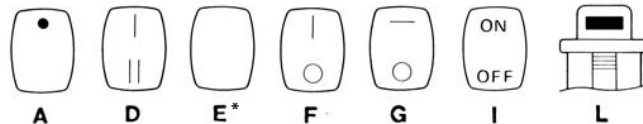
Panel Thickness	X
.75 - 1.25 (.030)-(0.049)	19.3±.1 (.756)
1.25 - 2.00 (.049)-(0.079)	19.5±.1 (.764)
2.00 - 3.00 (.079)-(0.118)	19.9 (.780)

PANEL MOUNTING

### TERMINATION OPTIONS



### MARKING OPTIONS



\* 'E' Marking standard for all LED versions.