

## Excellent Integrated System Limited

Stocking Distributor

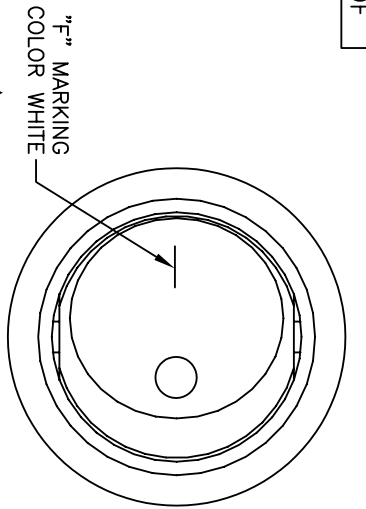
Click to view price, real time Inventory, Delivery & Lifecycle Information:

[E-Switch](#)  
[RR3112ABLKREDNFFO](#)

For any questions, you can email us directly:

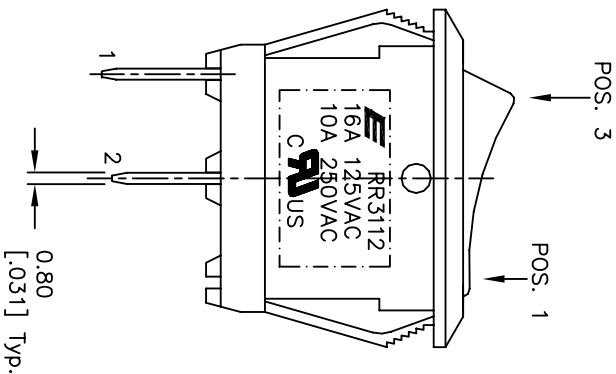
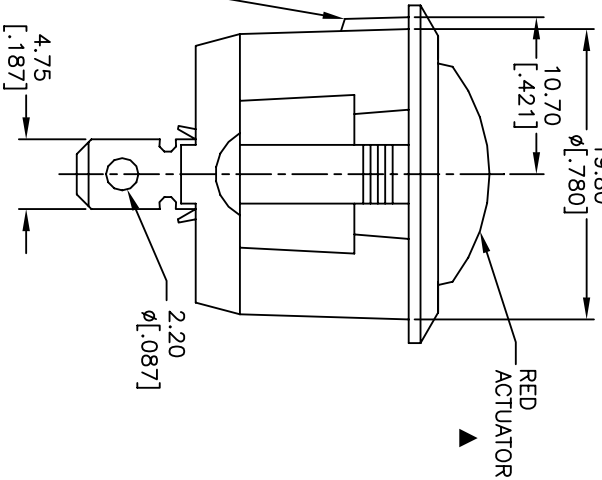
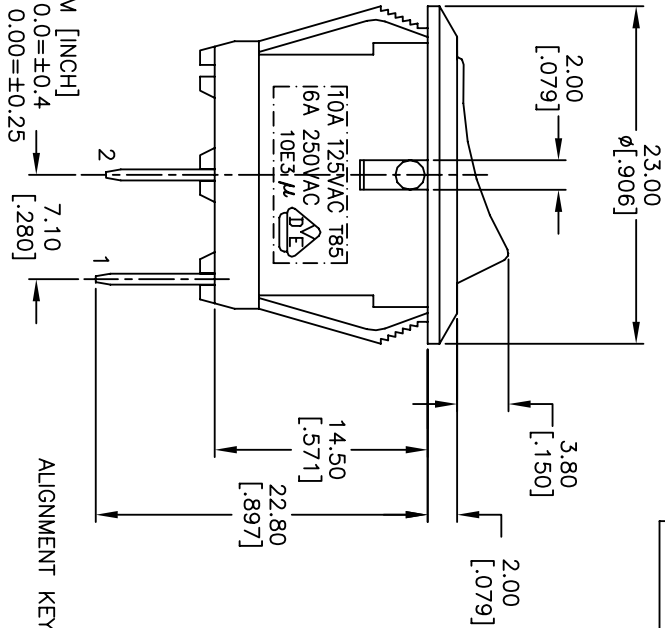
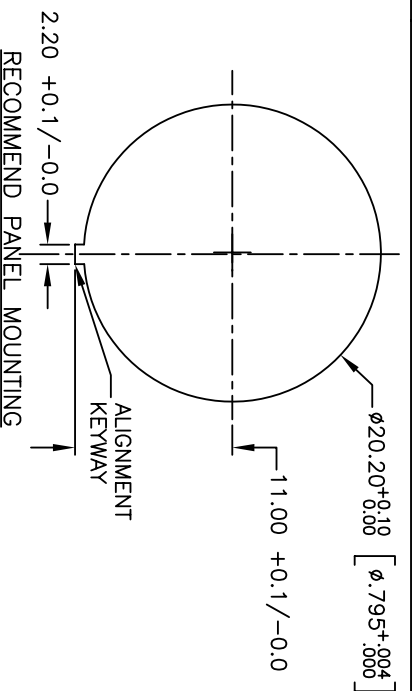
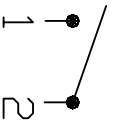
[sales@integrated-circuit.com](mailto:sales@integrated-circuit.com)

SHEET OF



CIRCUIT: 2P, SPST  
 CONTACT CONFIGURATION  
 ON-OFF

SWITCH FUNCTION	POS. 1	POS. 3
ON	OFF	OFF
1-2	OPEN	OPEN



NOTES:

1. ALL DIMENSIONS IN MM [INCH]
2. GENERAL TOLERANCE: 0.0=±0.4  
0.00=±0.25
3. TERM. NOS. FOR REF. ONLY
4. RATING: 16A, 125VAC, 10A, 250VAC UL&CUL APPROVED  
10A 125VAC, 6A 250V AC VDE APPROVED
5. CONTACT RESISTANCE: 50m ohm max.
6. INSULATION RESISTANCE: DC 500V 100M ohm min.
7. DIELECTRIC STRENGTHS: AC 1500V 1 minute
8. OPERATING TEMP.: 0°C to 85°C
9. ▲ DENOTES CRITICAL PARAMETER.
10. 2002/95/EC (ROHS) COMPLIANT

REV.	ECN No.	DESCRIPTION	DATE	CHKD
C	16972	ADDED ROHS NOTE, FIXED QAD	2/6/07	TN
B	15277	CONTACT FROM SPDT TO SPST	9/14/05	PH
A	15135	RELEASED FOR PRODUCTION	8/8/05	RC

TITLE	SCALE	DATE	DR	DWG	REV
RR3112ABLKREDNFFO	2:1	2/6/07	TN	F130425	C

**E-SWITCH**

THE INFORMATION CONTAINED IN THIS DOCUMENT IS PROPRIETARY TO E-SWITCH AND IS NOT TO BE COPIED OR TRANSMITTED