

## Excellent Integrated System Limited

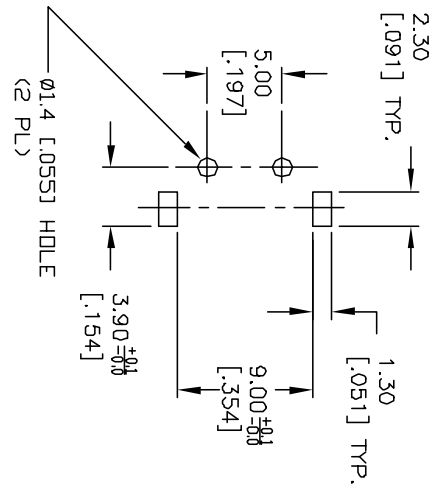
Stocking Distributor

Click to view price, real time Inventory, Delivery & Lifecycle Information:

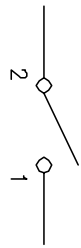
[E-Switch](#)  
[TL1100CF160Q4JBLK](#)

For any questions, you can email us directly:

[sales@integrated-circuit.com](mailto:sales@integrated-circuit.com)

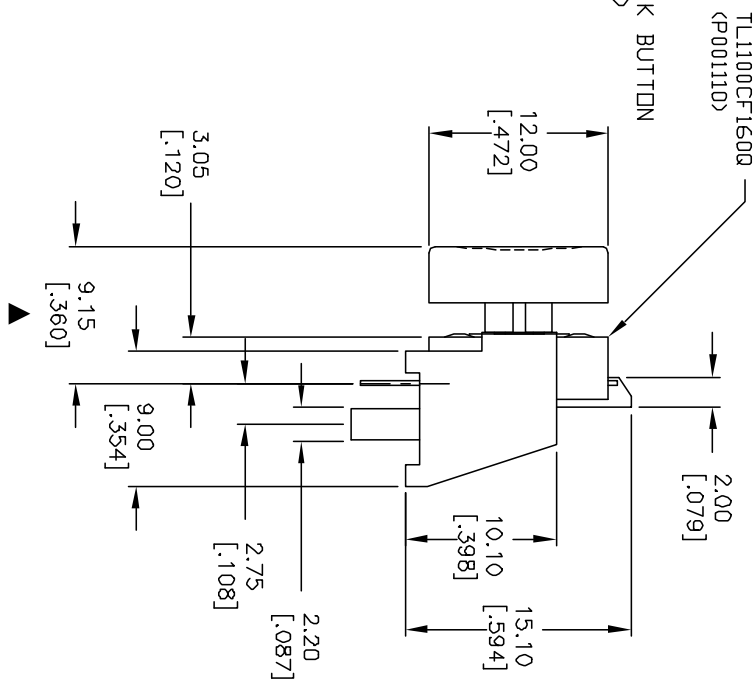
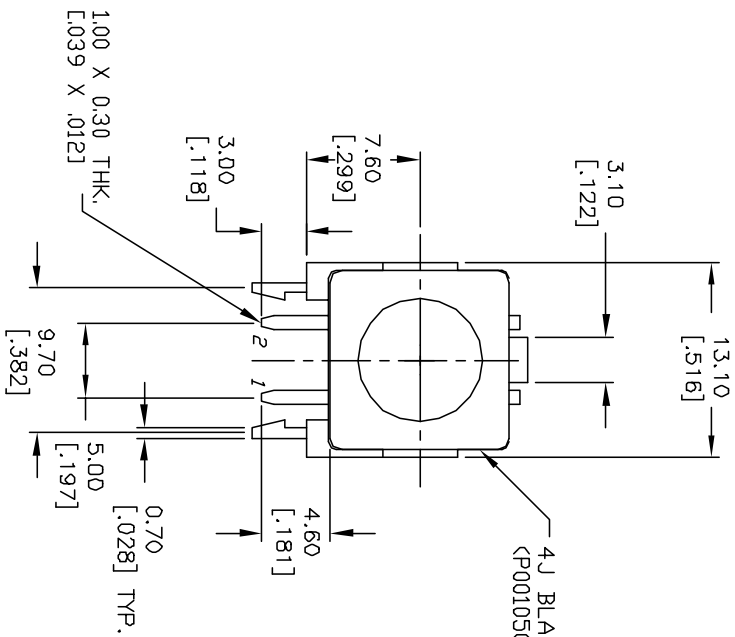


RECOMMENDED P.C.B. LAYOUT



NOTES:

1. ALL DIMENSIONS IN MM [INCH]
2. GENERAL TOLERANCE: X.X=±0.4  
X.XX=±0.25
3. TERM. NOS. FOR REF. ONLY
4. RATING: 50mA, @12V DC
5. CONTACT MATERIAL: SILVER
5. CONTACT MATERIAL: SILVER
6. TRAVEL: 0.30±0.15mm
6. OPERATING FORCE: 160±50gf
7. CONTACT RESISTANCE: 100 MILLIOH Max.
8. ELECTRICAL LIFE: 100,000 CYCLES MIN.
9. MAJOR DIMENSIONS



**E-SWITCH®**

TITLE TL 1100C F160 Q (4J BLK)

REV.	ECN No.	RELEASED FOR PRODUCTION	DATE	CHKD	SCALE	DATE	DR	DWG	REV
A	11790	RELEASED FOR PRODUCTION	10/25/01	CJC	2:1	10/25/01	CJC	XP0096P	A

THE INFORMATION CONTAINED IN THIS DOCUMENT IS PROPRIETARY TO E-SWITCH AND IS NOT TO BE COPIED OR TRANSMITTED