

Excellent Integrated System Limited

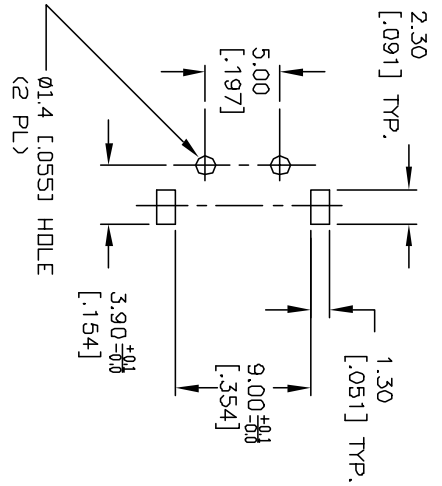
Stocking Distributor

Click to view price, real time Inventory, Delivery & Lifecycle Information:

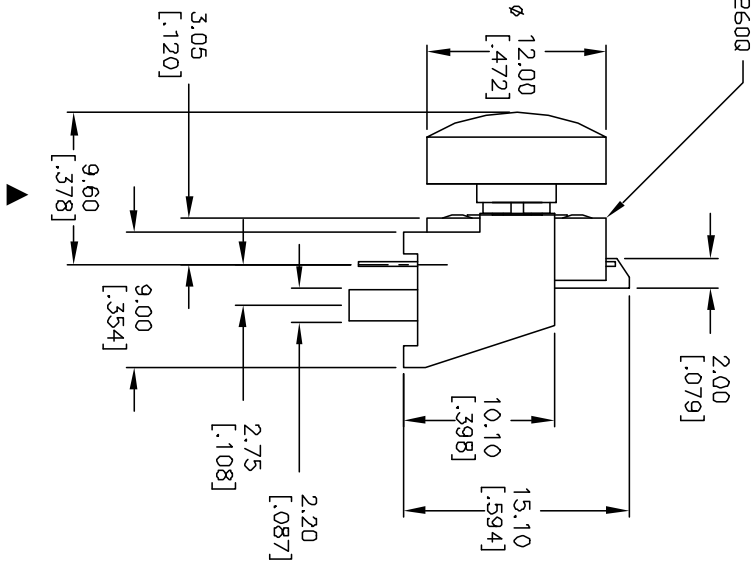
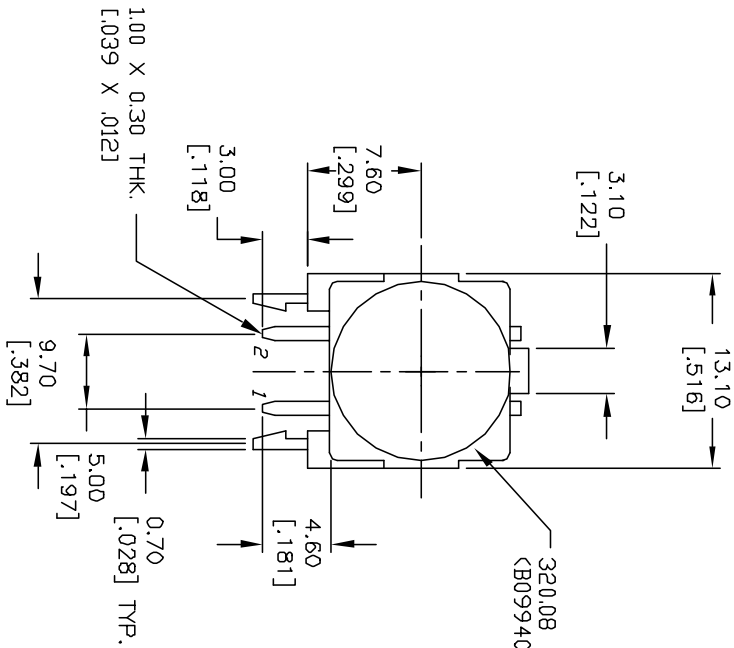
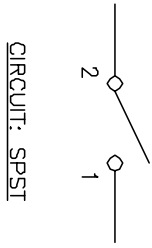
[E-Switch](#)
[TL1100CF260Q.08RED](#)

For any questions, you can email us directly:

sales@integrated-circuit.com



RECOMMENDED P.C.B. LAYOUT



- NOTES:
1. ALL DIMENSIONS IN MM [INCH]
 2. GENERAL TOLERANCE: X.X=±0.4 X.XX=±0.25
 3. TERM. NOS. FOR REF. ONLY
 4. RATING: 50mA, @12V DC
 5. CONTACT MATERIAL: SILVER
 6. TRAVEL: 0.30±0.15mm
 7. OPERATING FORCE: 260±50gf
 8. CONTACT RESISTANCE: 100 MILLIOH Max.
 9. ELECTRICAL LIFE: 100,000 CYCLES MIN.
 9. MAJOR DIMENSIONS

E-SWITCH®

REV.	ECN No.	RELEASED FOR PRODUCTION	DESCRIPTION	DATE	CHKD
A	11790	10/25/01		CJC	

TITLE	SCALE	DATE	DR	DWG	REV
TL 1100C F260 Q/320.08 RED	2:1	10/25/01	CJC	XP02254	A

THE INFORMATION CONTAINED IN THIS DOCUMENT IS PROPRIETARY TO E-SWITCH AND IS NOT TO BE COPIED OR TRANSFERRED