

Excellent Integrated System Limited

Stocking Distributor

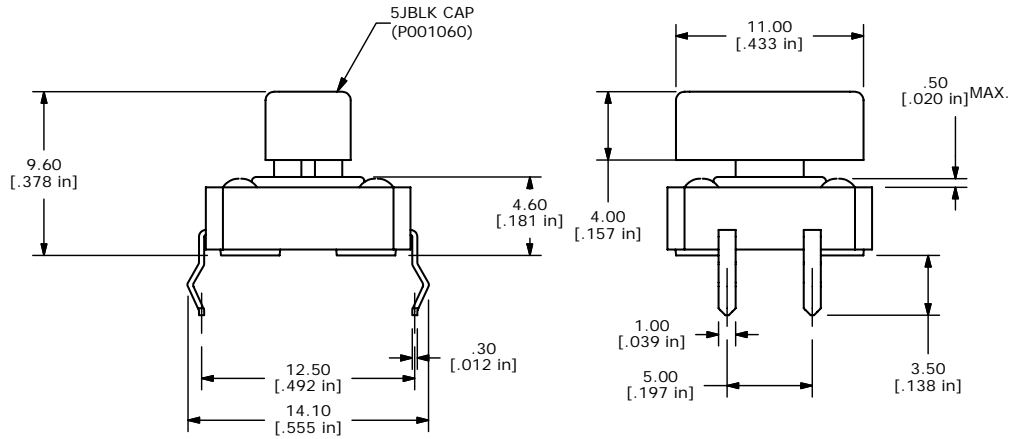
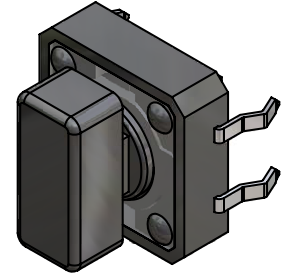
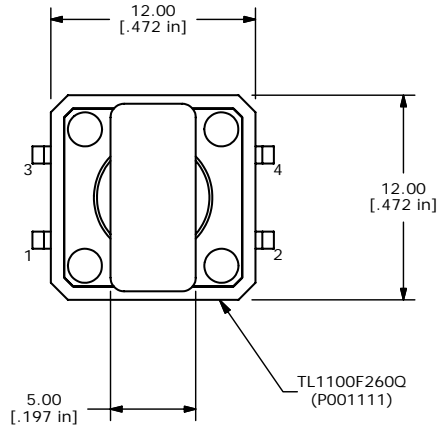
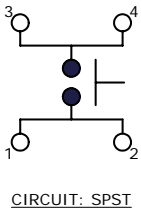
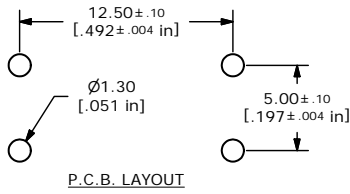
Click to view price, real time Inventory, Delivery & Lifecycle Information:

[E-Switch](#)
[TL1100F260Q5JBLK](#)

For any questions, you can email us directly:

sales@integrated-circuit.com

SHEET 1 OF 1



- NOTES:
1. ALL DIMENSIONS IN MM [INCH]
 2. GENERAL TOLERANCE: X.X=±0.4
X.XX=±0.25
 3. TERMINAL NUMBERS FOR REF. ONLY.
 4. RATING: 50mA @ 12VDC
 5. TRAVEL: 0.30±0.15mm
 6. OPERATING FORCE: 260±50gf
 7. CONTACT RESISTANCE: 100 MILLI-OHMS MAX.
 8. ELECTRICAL LIFE: 100,000 CYCLES MIN.



| | | | | |
|-----|--------|-------------|----------|----|
| A | 15591 | NEW RELEASE | 12/12/05 | PH |
| REV | PCR NO | DESCRIPTION | DATE | BY |

| | | | | |
|------------------------|----------------|-------|-------------|-------|
| TITLE TL1100F260Q5JBLK | | | | |
| SCALE 3:1 | DATE 12/8/2005 | DR PH | DWG XP0282A | REV A |

THE INFORMATION CONTAINED IN THIS DOCUMENT IS PROPRIETARY TO E-SWITCH AND IS NOT TO BE COPIED OR TRANSFERRED