

Excellent Integrated System Limited

Stocking Distributor

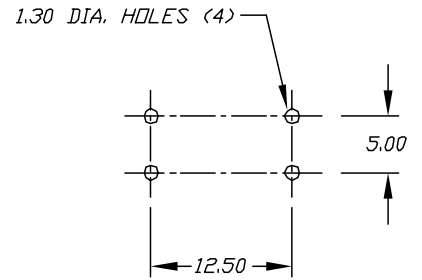
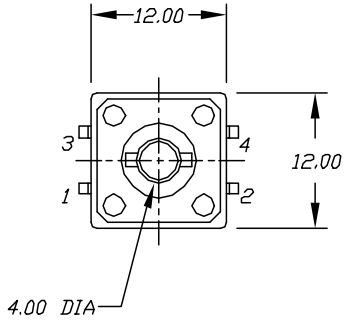
Click to view price, real time Inventory, Delivery & Lifecycle Information:

[E-Switch](#)
[TL1100FF260Q](#)

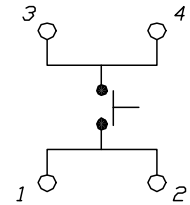
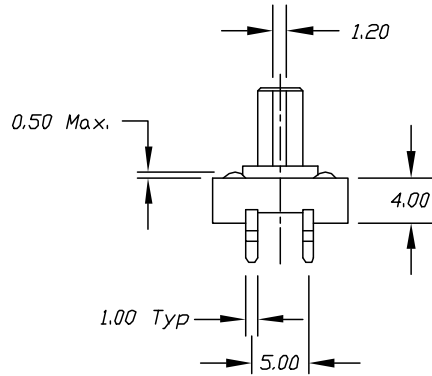
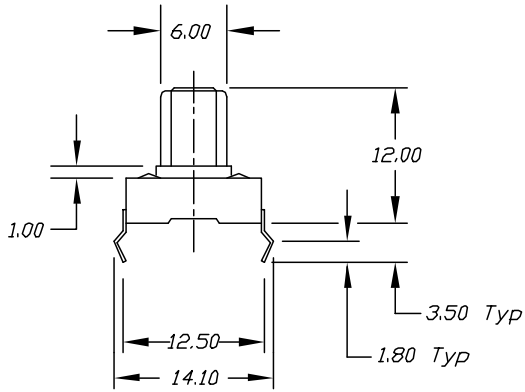
For any questions, you can email us directly:

sales@integrated-circuit.com

SHEET DF



RECOMMEND P.C.B. LAYOUT



CIRCUIT: SPST
CONTACT CONFIGURATION

NOTES:

1. ALL DIMENSIONS IN MM
2. TERM. NOS. FOR REF ONLY
3. RATING: DC 12V, 50mA
4. TRAVEL: 0.3±0.15mm
5. CONTACT RESISTANCE: 100m Ohms Max.

				E-SWITCH®	
				TITLE	
				TL 1100 F F260 Q	
A	RELEASED FOR PRODUCTION				
REV.	DESCRIPTION	DATE	CHKD	SCALE	DATE
				2:1	11/10/97
<small>THE INFORMATION CONTAINED IN THIS DOCUMENT IS PROPRIETARY TO E-SWITCH AND IS NOT TO BE COPIED OR TRANSFERRED</small>				DR	DWG
				MM	P001105
					REV A

TOLERANCES	±0.4	±0.25
	0.0	0.00